

# EKMR 130 G

Sample image

**Order symbol :** EKMR 130 G

**EAN :** 6418074013521

**Product nr :** 2538025

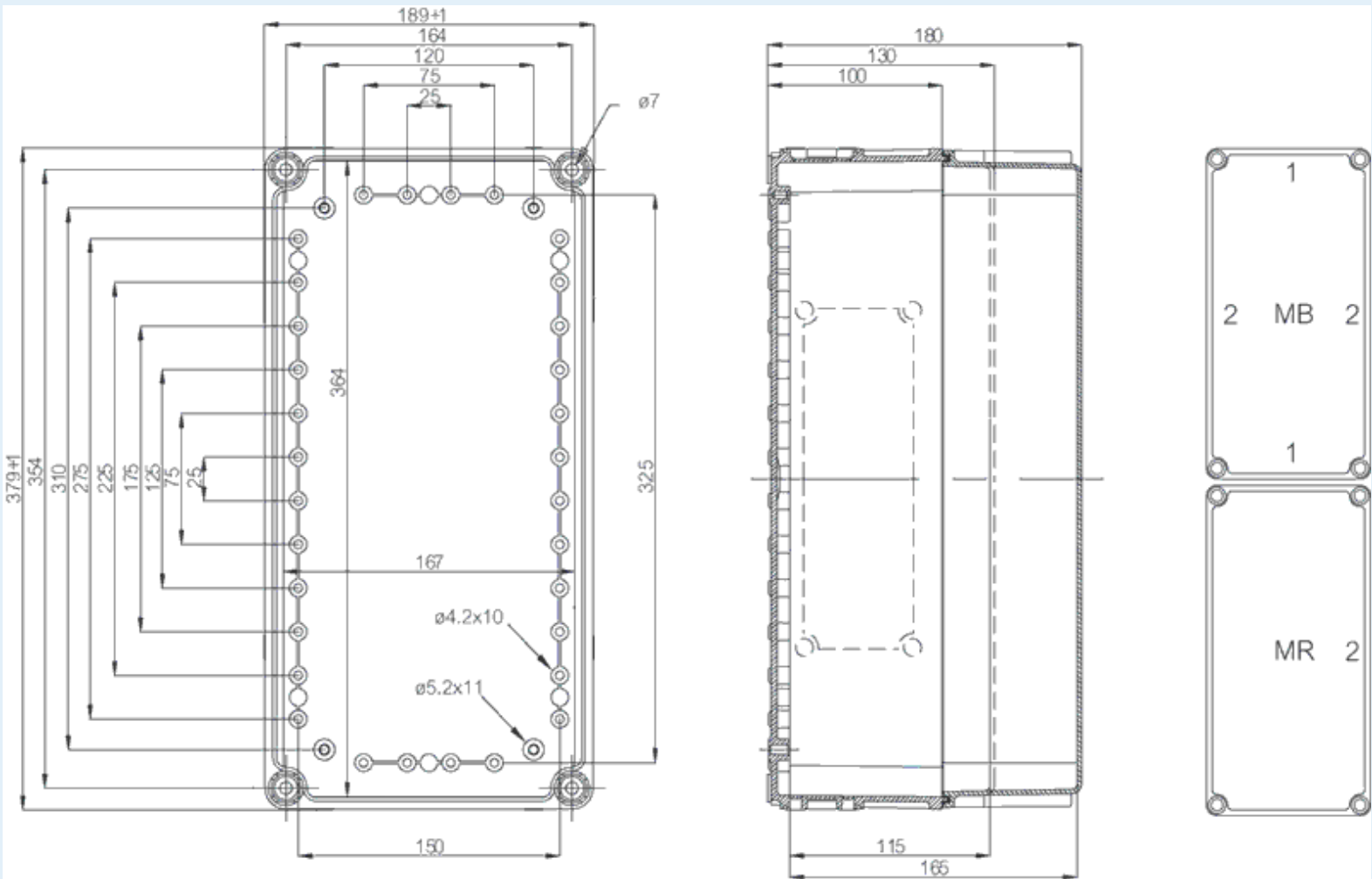
**El. number :**

**Description :** Enclosure, PC

- Finland : 3425412
- Sweden : 2538025

**Remarks :** Grey cover

**Including :** Flanged Base with screws for mounting plate. cover with PUR gasket and polyamide cover screws.



Dimensions :	Height	Width	Depth
mm :	380	190	130

**Materials :**

**Accessories :**

- EKMZR Extension frame, for enclosures: (380 x 190 x 50)
- EKV 12 DIN-35 Mounting rail, for enclosures: (160 x 35 x 7)

Material :	Polycarbonate
Base colour :	RAL_7035
Cover colour :	RAL 7035 -light grey
Gasket material :	Polyurethane

EKV 32	DIN-35 Mounting rail, for enclosures: (335 x 35 x 7)
EKMVT	Mounting plate, for enclosures: (338 x 158 x 1.5)

**Temperatures :**

Temperature °C (continuous) :	-40 ... 80
Temperature °F (continuous) :	-40 ... 175

**Ratings :**

Ingress protection (EN 60529):	IP66; IP67;
Impact Resistance (EN 62262):	IK08;
electrical_insulation :	Totally insulated
Halogen free (DIN/VDE 0472, Part 815) :	Yes
UV resistance :	UL 746C
Flammability Rating :	UL 94 V0
Glow Wire Test (IEC 695-2-1) °C :	960C

**Certificates :**

SGSFIMKO\_EK