

# EKPL 230 G



Sample image

**Order symbol :** EKPL 230 G

**EAN :** 6418074013651

**Product nr :** 2538064

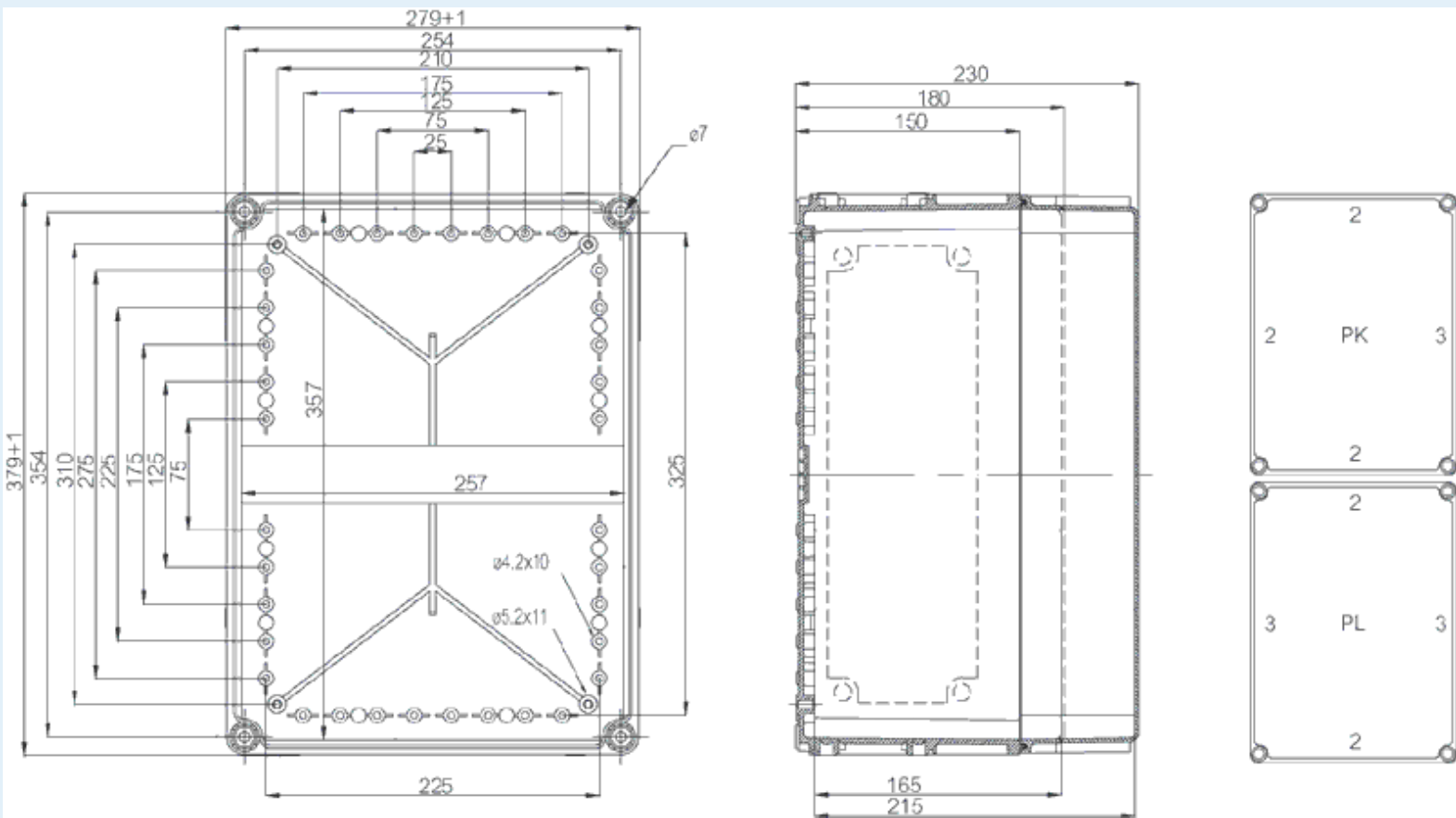
**El. number :**

**Description :** Enclosure, PC

- Finland : 3425431
- Denmark : 8212051027
- Sweden : 2538064

**Remarks :** Grey cover

**Including :** Flanged Base with screws for mounting plate. cover with PUR gasket and polyamide cover screws.



Dimensions :	Height	Width	Depth
mm :	380	280	230
inch :	14.96	11.02	9.06

Accessories :	
EKV 32	DIN-35 Mounting rail, for enclosures: (335 x 35 x 7)
EKV 22	DIN-35 Mounting rail, for enclosures:

**Materials :**

Material :	Polycarbonate
Base colour :	RAL_7035
Cover colour :	RAL 7035 -light grey
Gasket material :	Polyurethane

**Temperatures :**

Temperature °C (continuous) :	-40 ... 80
Temperature °F (continuous) :	-40 ... 175

(235 x 35 x 7)

EKPZR	Extension frame, for enclosures: (380 x 280 x 50)
EKPVT	Mounting plate, for enclosures: (338 x 238 x 1.5)
MPI EKP 3828	Multiperforated plastic mounting plate (338 x 238 x 4)

**Ratings :**

Ingress protection (EN 60529):	IP66; IP67;
Impact Resistance (EN 62262):	IK08;
electrical_insulation :	Totally insulated
Halogen free (DIN/VDE 0472, Part 815) :	Yes
UV resistance :	UL 746C
Flammability Rating :	UL 94 V0
Glow Wire Test (IEC 695-2-1) °C :	960C

**Certificates :**

SGSFIMKO\_EK