

EKJB 130 T



Sample image

Order symbol : EKJB 130 T

Product nr : 2538113

UL Name : UL EKJB 130 T

Description : Enclosure, PC

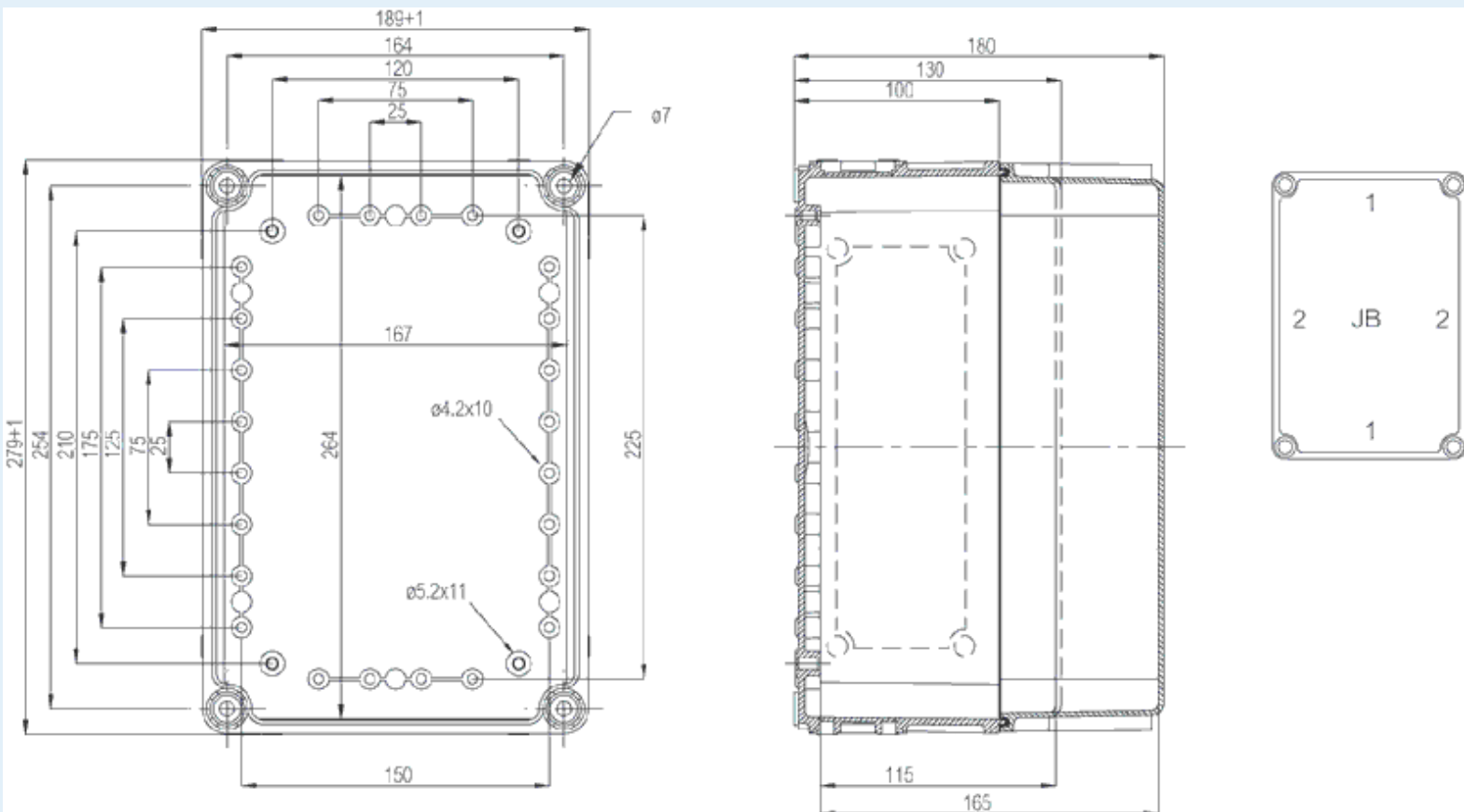
Remarks : Transparent cover

EAN : 6418074013750

El. number :

- Finland : 3425456
- Denmark : 8212050811
- Sweden : 2538113

Including : Flanged Base with screws for mounting plate. cover with PUR gasket and polyamide cover screws.



Dimensions :	Height	Width	Depth
mm :	280	190	130
inch :	11.02	7.48	5.12

Accessories :

- EKV 12 DIN-35 Mounting rail, for enclosures: (160 x 35 x 7)
- EKJVT Mounting plate, for enclosures:

Materials :

Material :	Polycarbonate
Base colour :	RAL_7035
Cover colour :	Clear transparent
Gasket material :	Polyurethane

Temperatures :

Temperature °C (continuous) :	-40 ... 80
Temperature °F (continuous) :	-40 ... 175

(238 x 158 x 1.5)

EKV 22	DIN-35 Mounting rail, for enclosures: (235 x 35 x 7)
EKJZR	Extension frame, for enclosures: (280 x 190 x 50)
MPI EKJ 2819	Multiperforated plastic mounting plate (259 x 164 x 4)
DRS EKJ 1928 1x14M	DIN rail set (264 x 174 x 90)
DRS EKJ 2819 2x9M	DIN rail set (264 x 174 x 90)

Ratings :

Ingress protection (EN 60529):	IP66; IP67;
Impact Resistance (EN 62262):	IK08;
electrical_insulation :	Totally insulated
Halogen free (DIN/VDE 0472, Part 815) :	Yes
UV resistance :	UL 746C
Flammability Rating :	UL 94 V0
Glow Wire Test (IEC 695-2-1) °C :	960C

Certificates :

SGSFIMKO_EK