

EKJB 180 T



Sample image

Order symbol : EKJB 180 T

Product nr : 2538116

Description : Enclosure, PC

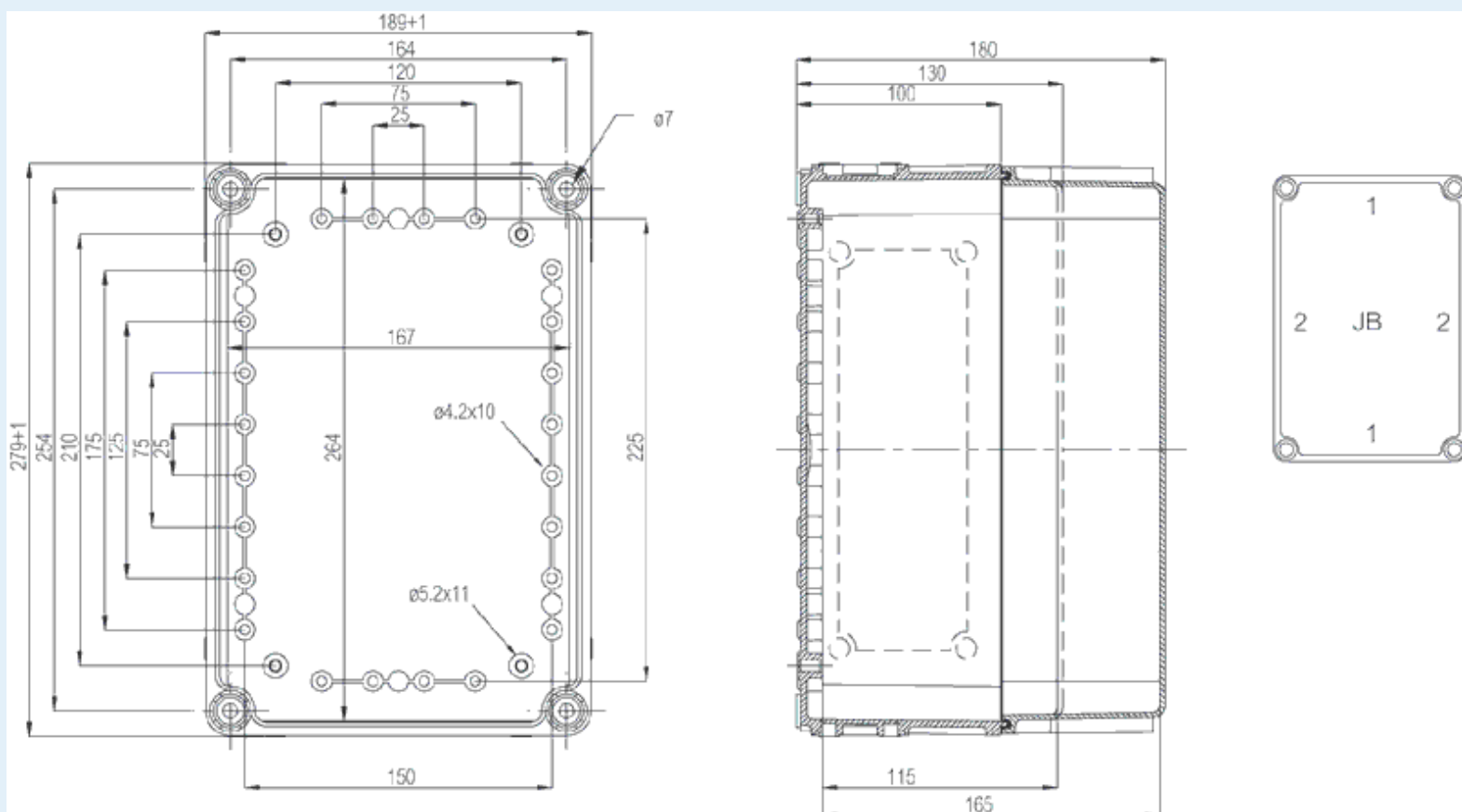
Remarks : Transparent cover

EAN : 6418074013767

El. number :

- Finland : 3425457
- Denmark : 8212050837
- Sweden : 2538116

Including : Flanged Base with screws for mounting plate. cover with PUR gasket and polyamide cover screws.



Dimensions :

| | Height | Width | Depth |
|--------|--------|-------|-------|
| mm : | 280 | 190 | 180 |
| inch : | 11.02 | 7.48 | 7.09 |

Accessories :

| | |
|--------|---|
| EKV 12 | DIN-35 Mounting rail, for enclosures: (160 x 35 x 7) |
| EKJVT | Mounting plate, for enclosures: |

Materials :

| | |
|-------------------|-------------------|
| Material : | Polycarbonate |
| Base colour : | RAL_7035 |
| Cover colour : | Clear transparent |
| Gasket material : | Polyurethane |

Temperatures :

| | |
|-------------------------------|-------------|
| Temperature °C (continuous) : | -40 ... 80 |
| Temperature °F (continuous) : | -40 ... 175 |

(238 x 158 x 1.5)

| | |
|--------------------|---|
| EKV 22 | DIN-35 Mounting rail, for enclosures: (235 x 35 x 7) |
| EKJZR | Extension frame, for enclosures: (280 x 190 x 50) |
| MPI EKJ 2819 | Multiperforated plastic mounting plate (259 x 164 x 4) |
| DRS EKJ 1928 1x14M | DIN rail set (264 x 174 x 90) |
| DRS EKJ 2819 2x9M | DIN rail set (264 x 174 x 90) |

Ratings :

| | |
|---|-------------------|
| Ingress protection (EN 60529): | IP66; IP67; |
| Impact Resistance (EN 62262): | IK08; |
| electrical_insulation : | Totally insulated |
| Halogen free (DIN/VDE 0472, Part 815) : | Yes |
| UV resistance : | UL 746C |
| Flammability Rating : | UL 94 V0 |
| Glow Wire Test (IEC 695-2-1) °C : | 960C |

Certificates :

SGSFIMKO_EK