

# EKMB 130 T



Sample image

**Order symbol :** EKMB 130 T

**Product nr :** 2538119

**Description :** Enclosure, PC

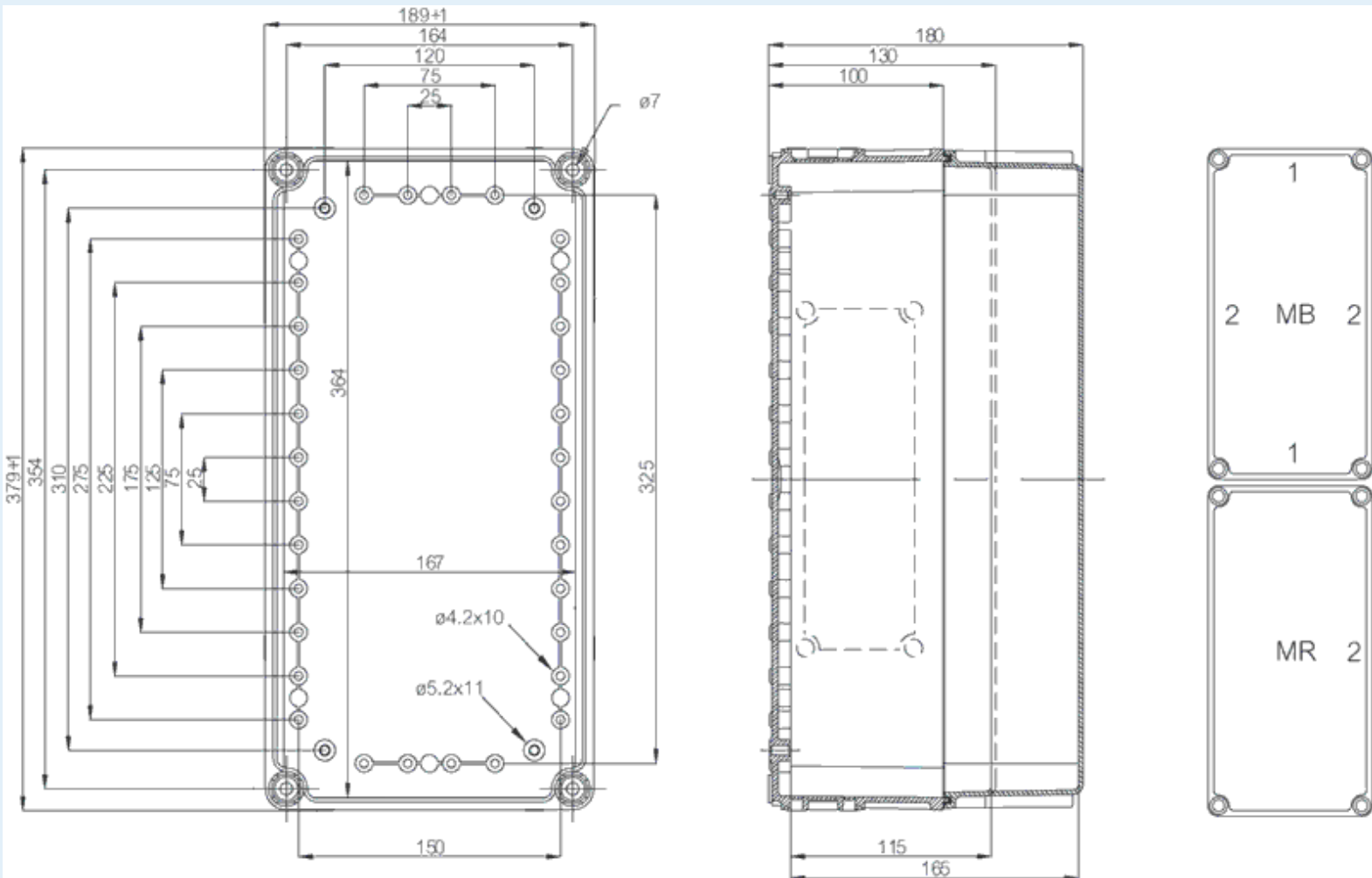
**Remarks :** Transparent cover

**EAN :** 6418074013774

**El. number :**

- Finland : 3425459
- Denmark : 8212050853
- Sweden : 2538119

**Including :** Flanged Base with screws for mounting plate. cover with PUR gasket and polyamide cover screws.



<b>Dimensions :</b>	<b>Height</b>	<b>Width</b>	<b>Depth</b>
mm :	380	190	130
inch :	14.96	7.48	5.12

#### **Materials :**

Material :	Polycarbonate
Base colour :	RAL_7035
Cover colour :	Clear transparent
Gasket material :	Polyurethane

#### **Temperatures :**

Temperature °C (continuous) :	-40 ... 80
Temperature °F (continuous) :	-40 ... 175

#### **Accessories :**

EKMZR	Extension frame, for enclosures: (380 x 190 x 50)
EKV 12	DIN-35 Mounting rail, for enclosures: (160 x 35 x 7)
EKV 32	DIN-35 Mounting rail, for enclosures: (335 x 35 x 7)
EKMVT	Mounting plate, for enclosures: (338 x 158 x 1.5)

#### **Ratings :**

Ingress protection (EN 60529):	IP66; IP67;
Impact Resistance (EN 62262):	IK08;
electrical_insulation :	Totally insulated
Halogen free (DIN/VDE 0472, Part 815) :	Yes
UV resistance :	UL 746C
Flammability Rating :	UL 94 V0
Glow Wire Test (IEC 695-2-1) °C :	960C

#### **Certificates :**

SGSFIMKO\_EK