

EKPK 230 T



Sample image

Order symbol : EKPK 230 T

Product nr : 2538158

Description : Enclosure, PC

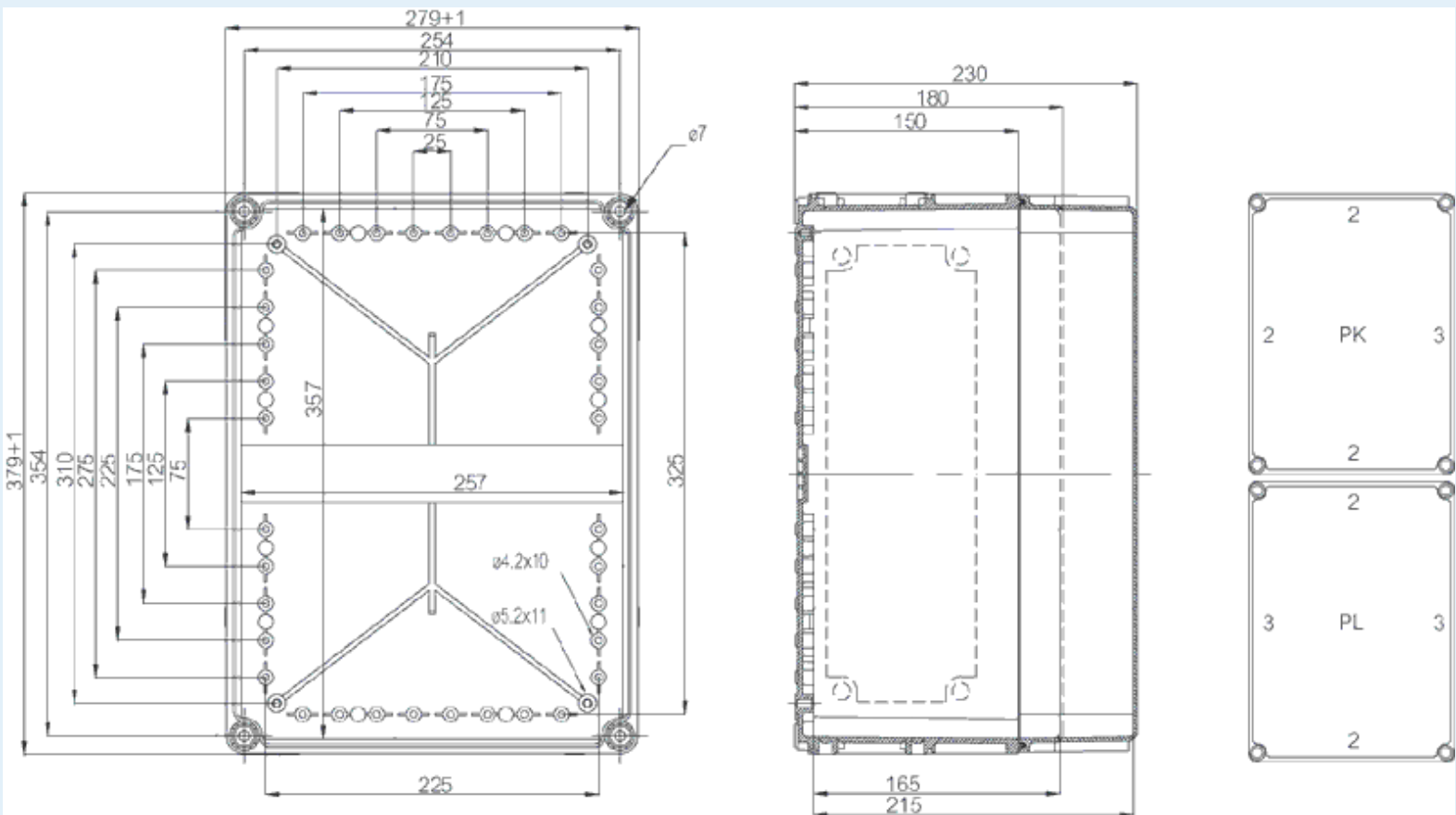
Remarks : Transparent cover

EAN : 6418074013903

El. number :

- Finland : 3425478
- Denmark : 8212050992
- Sweden : 2538158

Including : Flanged Base with screws for mounting plate. cover with PUR gasket and polyamide cover screws.



| Dimensions : | Height | Width | Depth |
|--------------|--------|-------|-------|
| mm : | 380 | 280 | 230 |
| inch : | 14.96 | 11.02 | 9.06 |

Accessories :

- EKV 32 DIN-35 Mounting rail, for enclosures: (335 x 35 x 7)
- EKV 22 DIN-35 Mounting rail, for enclosures:

Materials :

| | |
|-------------------|-------------------|
| Material : | Polycarbonate |
| Base colour : | RAL_7035 |
| Cover colour : | Clear transparent |
| Gasket material : | Polyurethane |

Temperatures :

| | |
|-------------------------------|-------------|
| Temperature °C (continuous) : | -40 ... 80 |
| Temperature °F (continuous) : | -40 ... 175 |

(235 x 35 x 7)

| | |
|--------------|---|
| EKPZR | Extension frame, for enclosures: (380 x 280 x 50) |
| EKPVT | Mounting plate, for enclosures: (338 x 238 x 1.5) |
| MPI EKP 3828 | Multiperforated plastic mounting plate (338 x 238 x 4) |

Ratings :

| | |
|---|-------------------|
| Ingress protection (EN 60529): | IP66; IP67; |
| Impact Resistance (EN 62262): | IK08; |
| electrical_insulation : | Totally insulated |
| Halogen free (DIN/VDE 0472, Part 815) : | Yes |
| UV resistance : | UL 746C |
| Flammability Rating : | UL 94 V0 |
| Glow Wire Test (IEC 695-2-1) °C : | 960C |

Certificates :

SGSFIMKO_EK