

EKMB



Sample image

Order symbol : EKMB

Product nr : 3530136

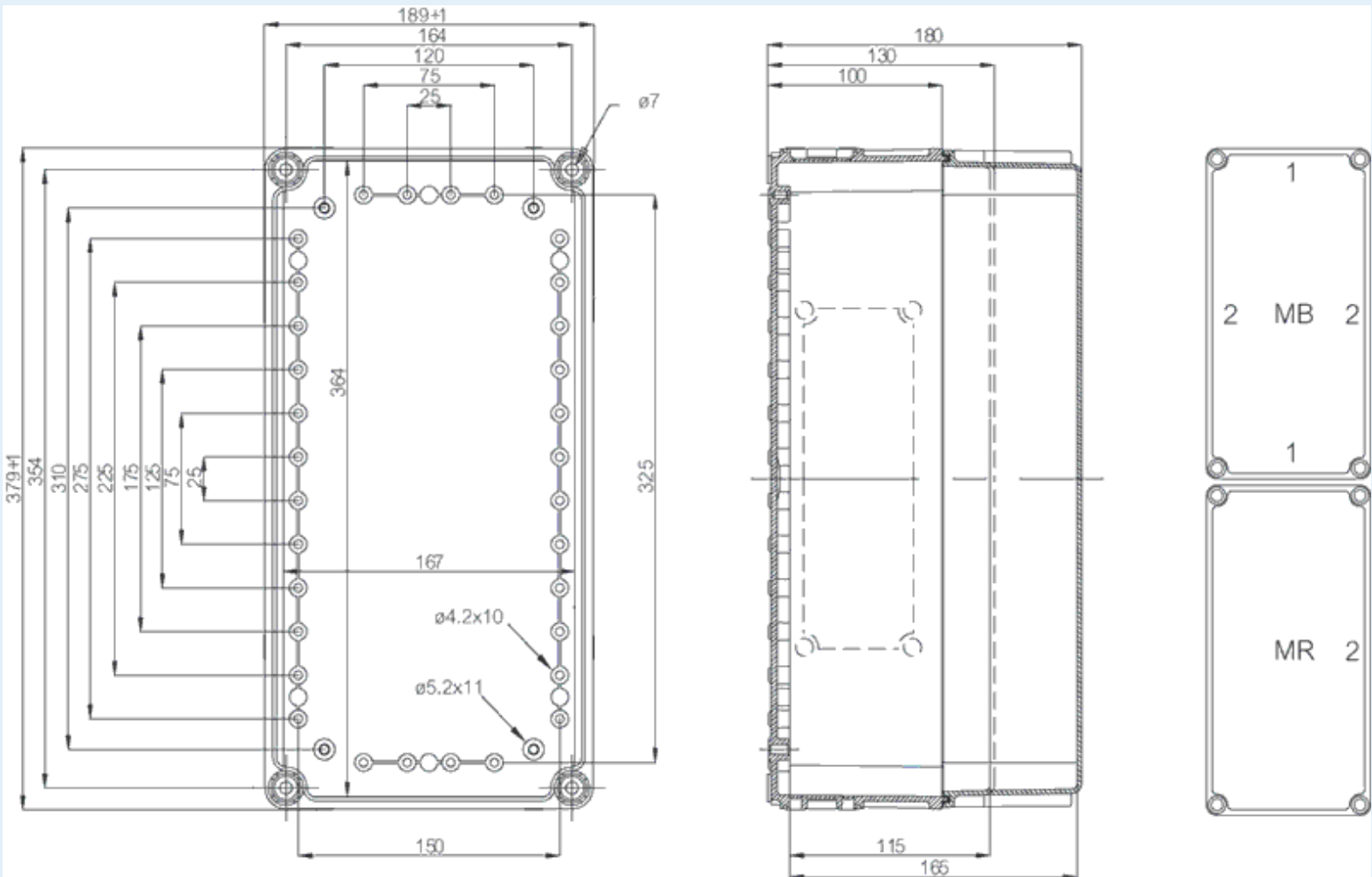
Description : Base, PC

Remarks : Openings; 2x size 1 flange + 2x size 2 flange

EAN : 6418074000040

El. number :

- Finland : 3420110
- Denmark : 8212006535
- Sweden : 2537806



Dimensions :

	Height	Width	Depth
mm :	380	190	100
inch :	14.96	7.48	3.94

Materials :

Material :	Polycarbonate
Base colour :	RAL_7035

Temperatures :

Temperature °C (continuous) :	-40 ... 80
Temperature °F (continuous) :	-40 ... 175

Accessories :

EKMZR	Extension frame, for enclosures: (380 x 190 x 50)
EKV 12	DIN-35 Mounting rail, for enclosures: (160 x 35 x 7)
EKV 32	DIN-35 Mounting rail, for enclosures: (335 x 35 x 7)
EKMVT	Mounting plate, for enclosures: (338 x 158 x 1.5)

Ratings :

electrical_insulation :	Totally insulated
UV resistance :	UL 746C
Flammability Rating :	UL 94 V0
Glow Wire Test (IEC 695-2-1) °C :	960C

Certificates :

SGSFIMKO_EK