

# EKJB



Sample image

**Order symbol :** EKJB

**Product nr :** 3530140

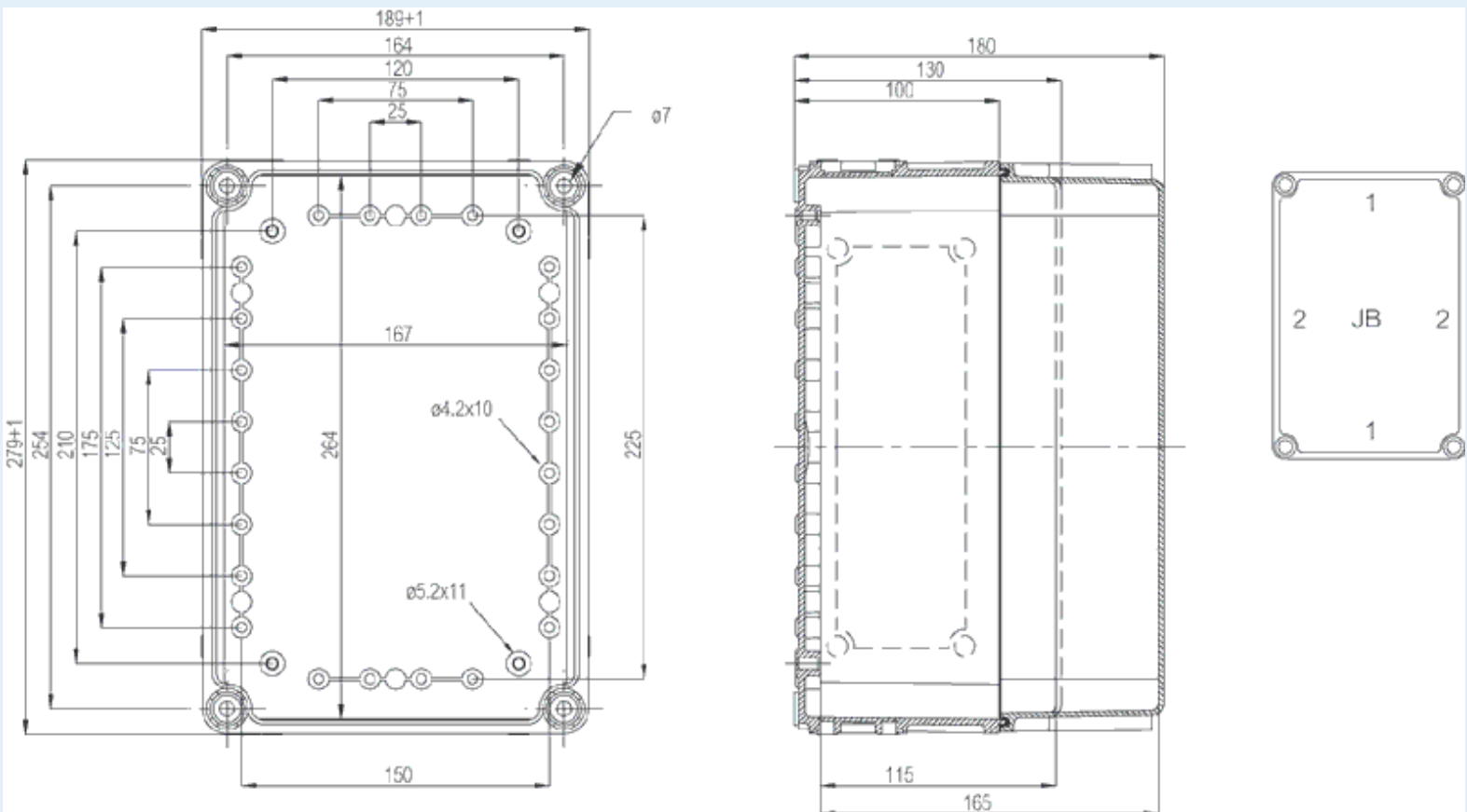
**Description :** Base, PC

**Remarks :** Openings; 2x size 1 flange + 2x size 2 flange

**EAN :** 6418074000033

**El. number :**

- Finland : 3420105
- Denmark : 8212006522
- Sweden : 2537804



Dimensions :	Height	Width	Depth
mm :	280	190	100
inch :	11.02	7.48	3.94

**Accessories :**

- EKV 12      DIN-35 Mounting rail, for enclosures: (160 x 35 x 7)
- EKJVT      Mounting plate, for enclosures:

**Materials :**

Material : Polycarbonate  
Base colour : RAL\_7035

**Temperatures :**

Temperature °C (continuous) : -40 ... 80  
Temperature °F (continuous) : -40 ... 175

(238 x 158 x 1.5)

EKV 22

DIN-35 Mounting rail, for enclosures:  
(235 x 35 x 7)

EKJZR

Extension frame, for enclosures:  
(280 x 190 x 50)

MPI EKJ 2819

Multiperforated plastic mounting plate  
(259 x 164 x 4)

DRS EKJ 1928 1x14M

DIN rail set  
(264 x 174 x 90)

DRS EKJ 2819 2x9M

DIN rail set  
(264 x 174 x 90)

**Ratings :**

electrical\_insulation : Totally insulated  
UV resistance : UL 746C  
Flammability Rating : UL 94 V0  
Glow Wire Test (IEC 695-2-1) °C : 960C

**Certificates :**

SGSFIMKO\_EK