

EKPK



Sample image

Order symbol : EKPK

Product nr : 3530315

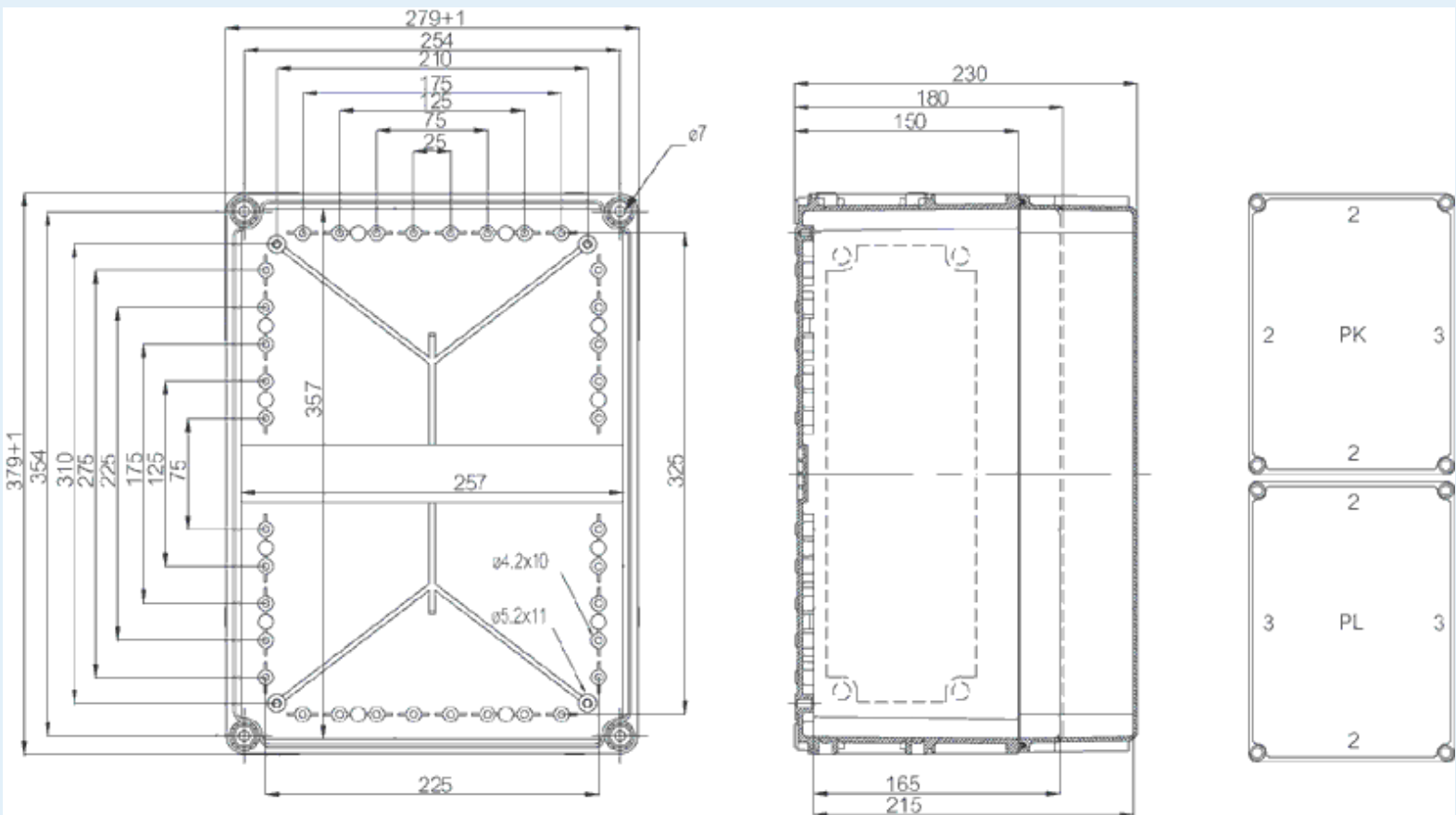
Description : Base, PC

Remarks : Openings; 3x size 2 flange + 1x size 3 flange

EAN : 6418074000101

El. number :

- Finland : 3420123
- Denmark : 8212006580
- Sweden : 2537818



Dimensions :

	Height	Width	Depth
mm :	380	280	150
inch :	14.96	11.02	5.91

Accessories :

EKV 32	DIN-35 Mounting rail, for enclosures: (335 x 35 x 7)
EKV 22	DIN-35 Mounting rail, for enclosures:

Materials :

Material : Polycarbonate
Base colour : RAL_7035

Temperatures :

Temperature °C (continuous) : -40 ... 80
Temperature °F (continuous) : -40 ... 175

(235 x 35 x 7)

EKPZR

Extension frame, for enclosures:
(380 x 280 x 50)

EKPVT

Mounting plate, for enclosures:
(338 x 238 x 1.5)

MPI EKP 3828

Multiperforated plastic mounting plate
(338 x 238 x 4)

DRS EKP 2838 2x19M

DIN rail set
(364 x 264 x 90)

DRS EKP 3828 3x14M

DIN rail set
(364 x 264 x 90)

Ratings :

electrical_insulation : Totally insulated
UV resistance : UL 746C
Flammability Rating : UL 94 V0
Glow Wire Test (IEC 695-2-1) °C : 960C

Certificates :

SGSFIMKO_EK