

# EKUN



Sample image

**Order symbol :** EKUN

**Product nr :** 3530318

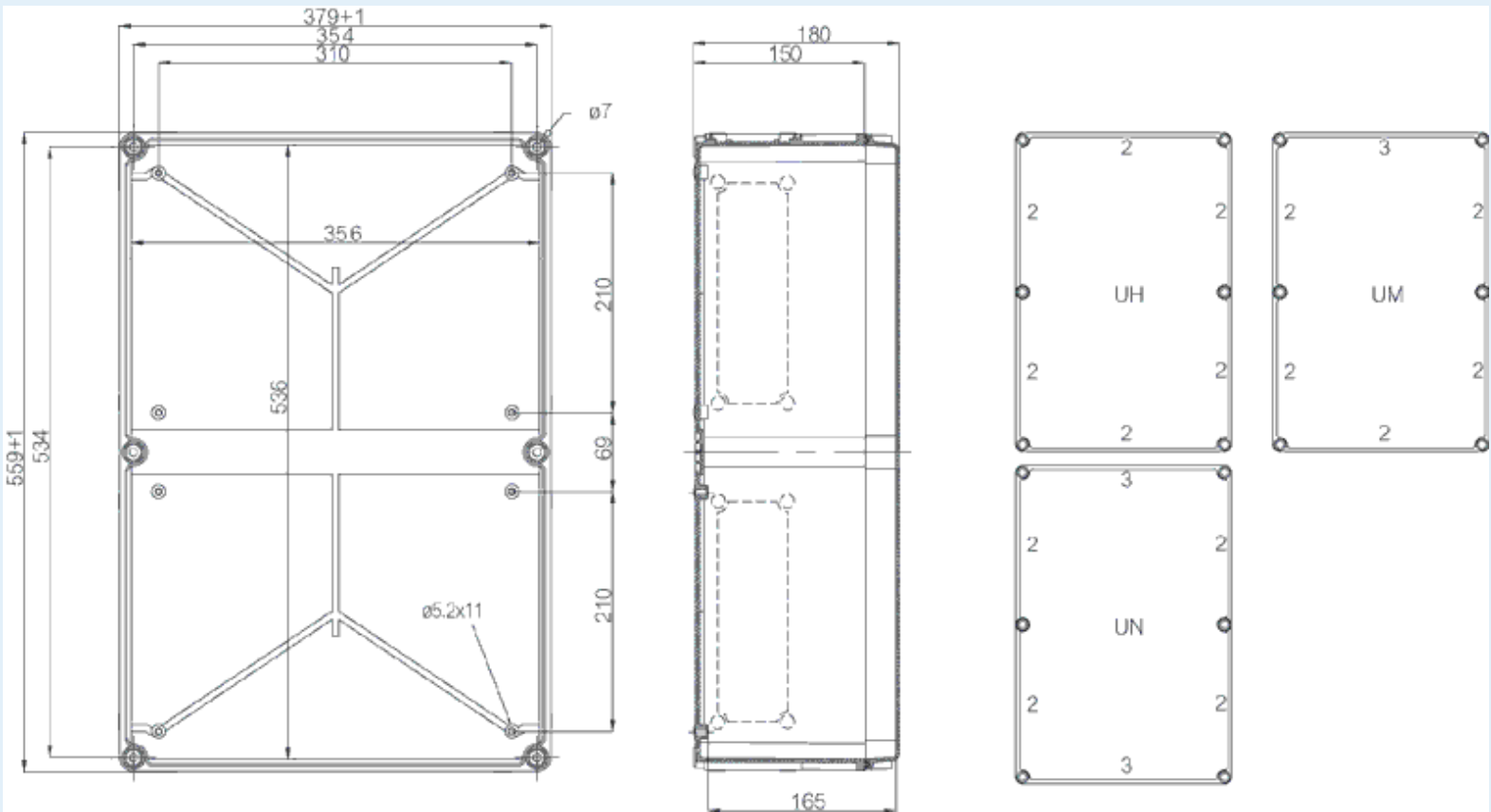
**Description :** Base, PC

**Remarks :** Openings; 4x size 2 flange + 2x size 3 flange

**EAN :** 6418074000156

**El. number :**

- Finland : 3420133
- Denmark : 8212006632
- Sweden : 2537828



Dimensions :	Height	Width	Depth
mm :	560	380	150
inch :	22.05	14.96	5.91

Accessories :	
EKUVT	Mounting plate, for enclosures: (518 x 338 x 1.5)
EKV 32	DIN-35 Mounting rail, for enclosures: (335 x 35 x 7)

**Materials :**

Material : Polycarbonate  
Base colour : RAL\_7035

EKUZR

Extension frame, for enclosures:  
(560 x 380 x 50)

DRS EKU 5638 4x19M

DIN rail set  
(536 x 359 x 134)**Temperatures :**

Temperature °C (continuous) : -40 ... 80  
Temperature °F (continuous) : -40 ... 175

**Ratings :**

electrical\_insulation : Totally insulated  
UV resistance : UL 746C  
Flammability Rating : UL 94 V0  
Glow Wire Test (IEC 695-2-1) °C : 960C

**Certificates :**

SGSFIMKO\_EK