

EKUM



Sample image

Order symbol : EKUM

Product nr : 3530319

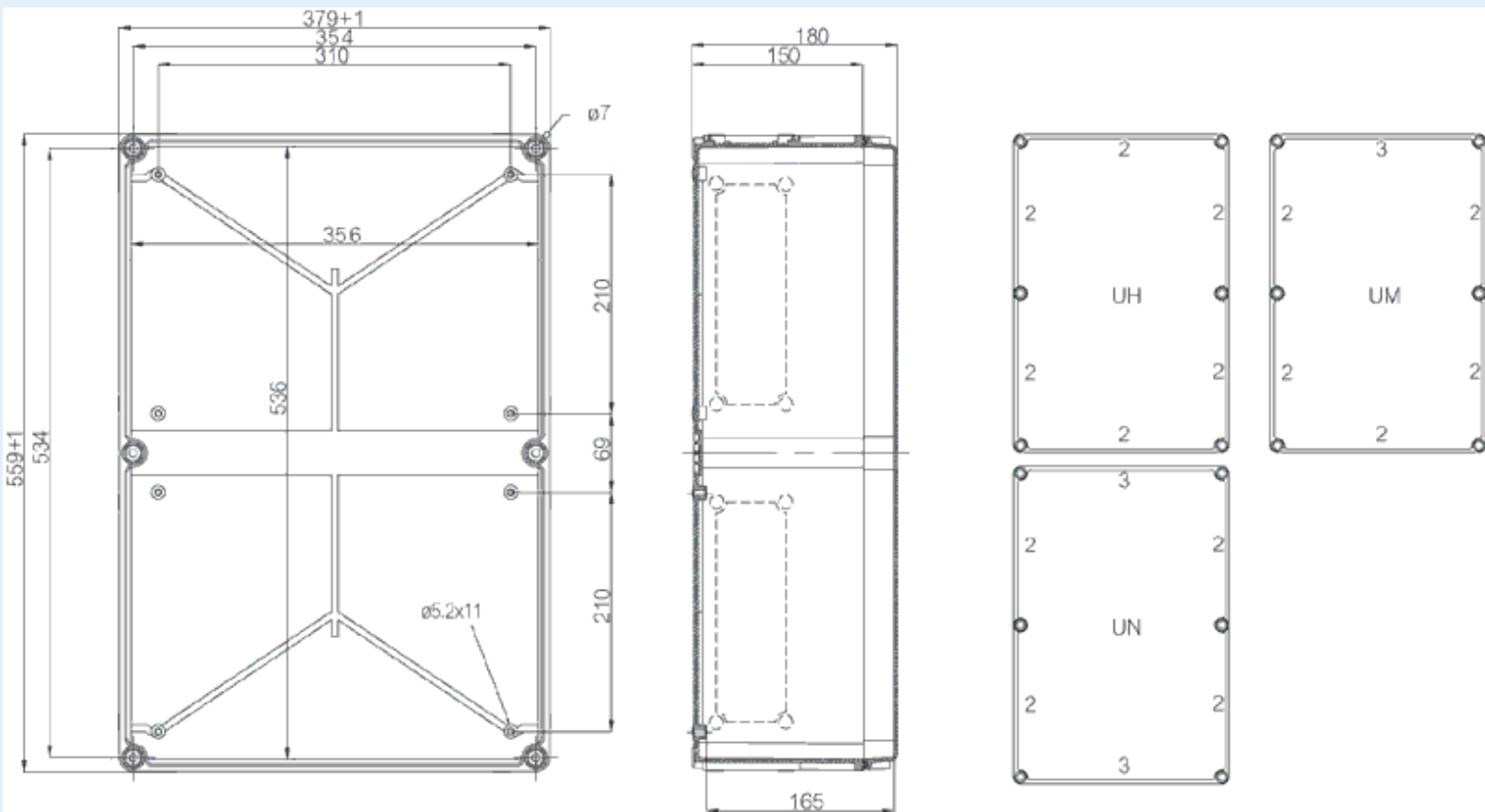
Description : Base, PC

Remarks : Openings; 5x size 2 flange + 1x size 3 flange

EAN : 6418074000149

El. number :

- Finland : 3420131
- Denmark : 8212006629
- Sweden : 2537826



Dimensions :	Height	Width	Depth
mm :	560	380	150
inch :	22.05	14.96	5.91

Accessories :

- EKUVT Mounting plate, for enclosures:
(518 x 338 x 1.5)
- EKV 32 DIN-35 Mounting rail, for enclosures:
(335 x 35 x 7)

Materials :

Material : Polycarbonate

Base colour : RAL_7035

EKUZR

Extension frame, for enclosures:
(560 x 380 x 50)

DRS EKU 5638 4x19M

DIN rail set
(536 x 359 x 134)**Temperatures :**

Temperature °C (continuous) : -40 ... 80

Temperature °F (continuous) : -40 ... 175

Ratings :

electrical_insulation : Totally insulated

UV resistance : UL 746C

Flammability Rating : UL 94 V0

Glow Wire Test (IEC 695-2-1) °C : 960C

Certificates :

SGSFIMKO_EK