

# FEM 34-45



Sample image

**Order symbol :** FEM 34-45

**Product nr :** 3545103

**Description :** EPDM Cable gland M63

**Remarks :** for cable 34-45 mm

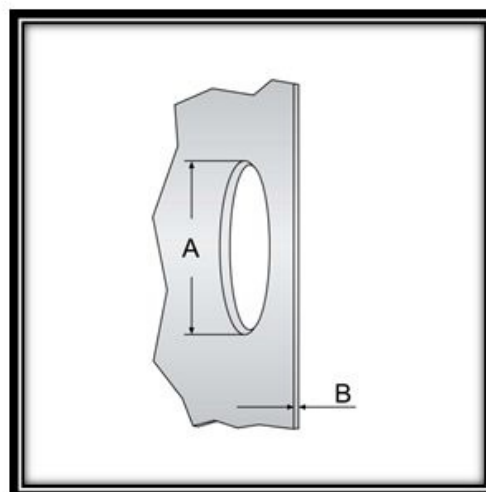
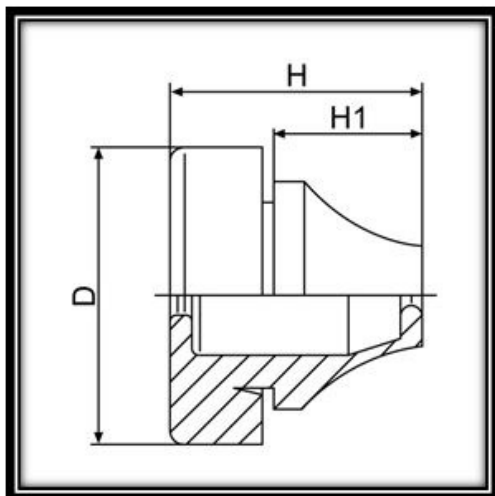
**EAN :** 6418074070852

**El. number :**

- Finland : 3423009
- Denmark : 8213001089
- Sweden : 1458388

EPDM Rubber, RAL 7035 Grey, IP 67 (EN 60529), Wall thickness 0,5 - 5 mm, Temperature range -40°...+110°C

| Code    | Order symbol    | EAN           | Size | Cable diameter    | A mm | B mm  | Da mm | H mm | H1 mm | Pcs/pack |
|---------|-----------------|---------------|------|-------------------|------|-------|-------|------|-------|----------|
| 3545078 | FEM 4-7         | 6418074035417 | M12  | 4-7               | 12,5 | 0,5-2 | 20    | 12,7 | 5,4   | 50       |
| 3545079 | FEM 5-9         | 6418074035424 | M16  | 5-9               | 16,5 | 1-4   | 21    | 18   | 10,5  | 50       |
| 3545278 | FEM 4-7 L       | 6418074070449 | M12  | 4-7               | 12,5 | 3-5   | 20    | 12,7 | 5,4   | 50       |
| 3545279 | FEM 5-9 L       | 6418074070456 | M16  | 5-9               | 16,5 | 3-5   | 21    | 18   | 10,5  | 50       |
| 3545080 | FEM 8-13        | 6418074035448 | M20  | 8-13              | 20,5 | 1-4   | 25,5  | 20   | 12,7  | 50       |
| 3545081 | FEM 10-14/PG 16 | 6418074035455 | PG16 | 10-14             | 23   | 1-4   | 28    | 21,6 | 14,7  | 50       |
| 3545082 | FEM 11-17       | 6418074035462 | M25  | 11-17             | 25,5 | 1-4   | 30,5  | 21,6 | 14,5  | 50       |
| 3545083 | FEM 15-20       | 6418074035479 | M32  | 15-20             | 32,5 | 1-4   | 38,5  | 24,8 | 17,5  | 25       |
| 3545084 | FEM 19-28       | 6418074035486 | M40  | 19-28             | 40,5 | 1-4   | 48,5  | 30   | 20,4  | 25       |
| 3545085 | FEM 27-35       | 6418074035530 | M50  | 27-35             | 50,5 | 1-4   | 60,5  | 35   | 23,9  | 10       |
| 3545103 | FEM 34-45       | 6418074070852 | M63  | 34-45             | 63,5 | 1-4   | 73,5  | 40   | 28,9  | 5        |
| 3546151 | MFM 8-12        | 6418074036803 | M50  | 3x 6-10, 3x 10-14 | 50,5 | 2-6   | 58    | 20   | 9     | 1        |



**Dimensions :**

|        | <b>Height</b> | <b>Width</b> | <b>Depth</b> |
|--------|---------------|--------------|--------------|
| mm :   | 74            | 74           | 40           |
| inch : | 2.91          | 2.91         | 1.57         |

**Ratings :**

|                                |               |
|--------------------------------|---------------|
| Ingress protection (EN 60529): | IP67;         |
| electrical_insulation :        | Not insulated |
| UV resistance :                | -             |
| Flammability Rating :          | UL 94 HB      |

**Materials :**

|            |      |
|------------|------|
| Material : | EPDM |
|------------|------|