

MB 10890 SET



Sample image

Order symbol : MB 10890 SET

Product nr : 3590890

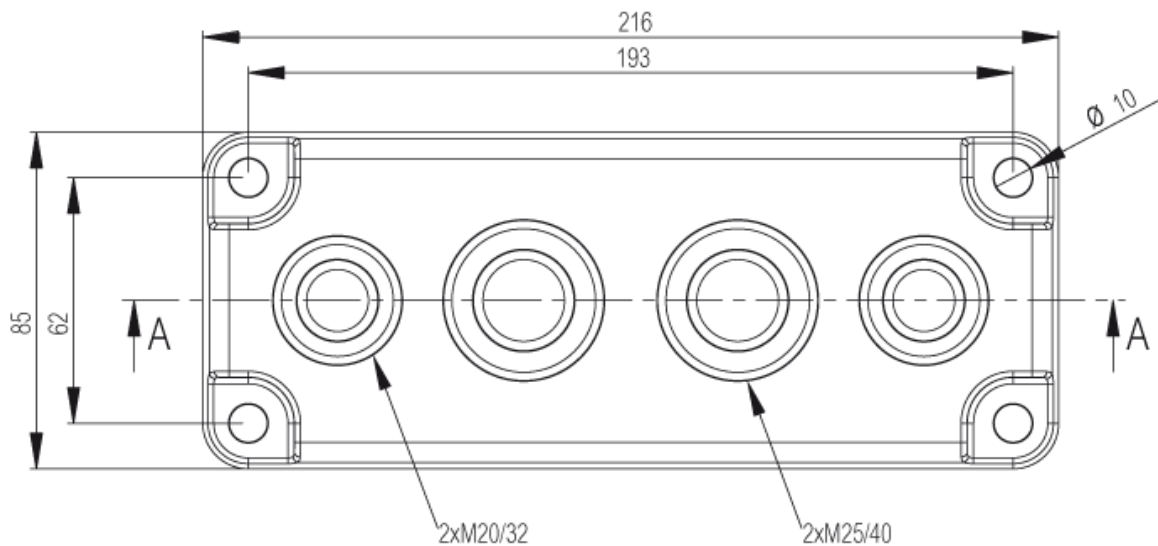
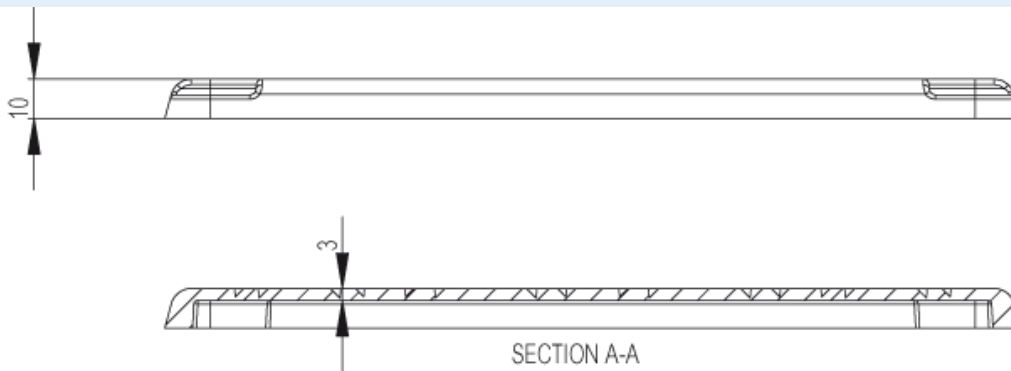
Description : Size 2

Remarks : incl. flange, gasket and connector set

EAN : 6418074051790

El. number :

- Finland : 3435248
- Denmark : 8212054639
- Sweden : 2650022



Dimensions :

	Height	Width	Depth
mm :	216	85	10
inch :	8.5	3.35	0.39

Ratings :

Ingress protection (EN 60529):	IP65;
Impact Resistance (EN 62262):	IK08;
electrical_insulation :	Not insulated
UV resistance :	-

Materials :

Material :	Polycarbonate
Gasket material :	EPDM

Temperatures :

Temperature °C (continuous) :	-40 ... 80
Temperature °F (continuous) :	-40 ... 175