

EKJ 80-G



Sample image

Order symbol : EKJ 80-G

Product nr : 3730556

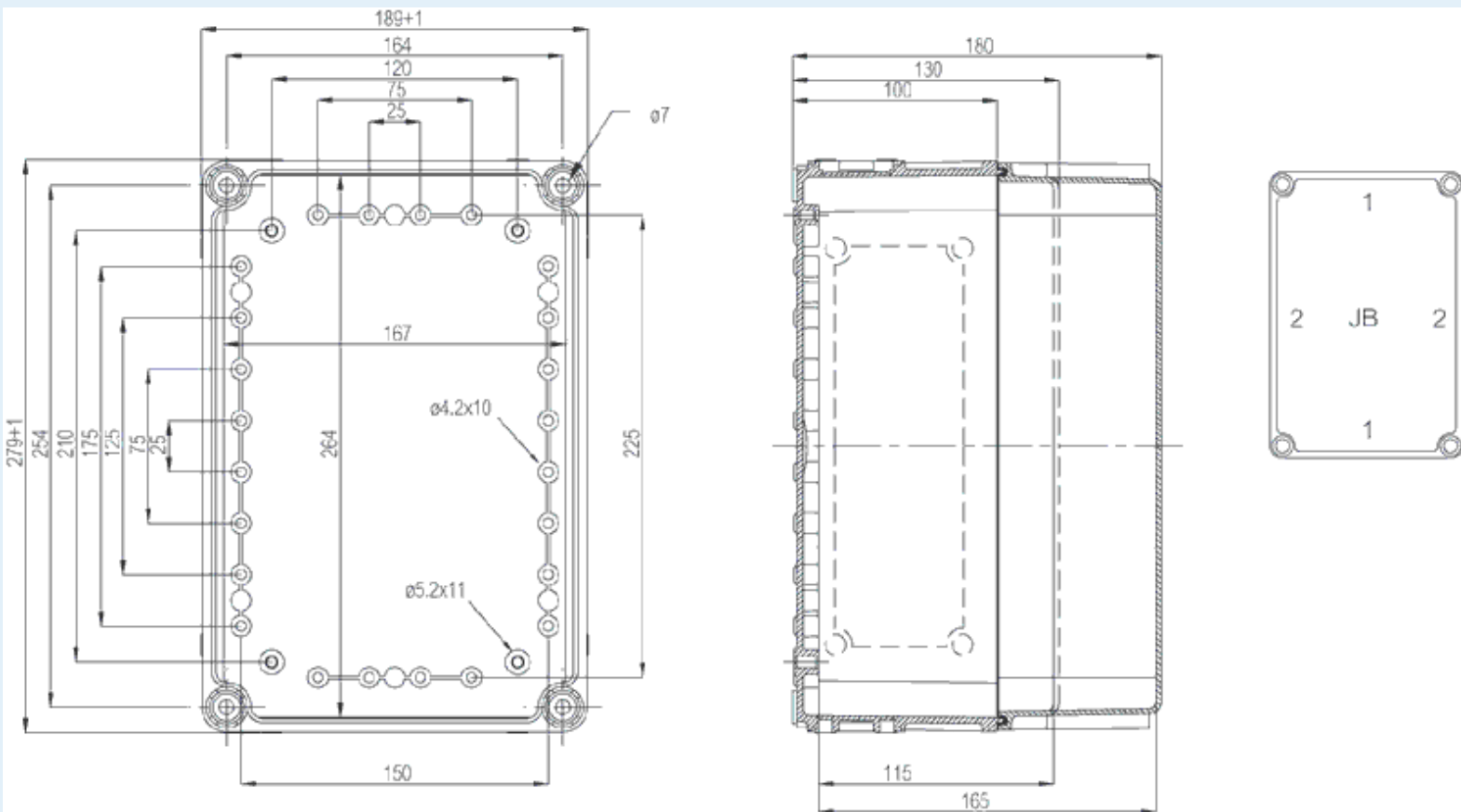
Description : Cover, PC

Remarks : Grey

EAN : 6418074000255

El. number :

- Finland : 3420158
- Denmark : 8212007071
- Sweden : 2537906



| Dimensions : | Height | Width | Depth |
|--------------|--------|-------|-------|
| mm : | 280 | 190 | 80 |
| inch : | 11.02 | 7.48 | 3.15 |

Accessories :

- EKV 12 DIN-35 Mounting rail, for enclosures: (160 x 35 x 7)
- EKJVT Mounting plate, for enclosures:

Materials :

| | |
|-------------------|----------------------|
| Material : | Polycarbonate |
| Cover colour : | RAL 7035 -light grey |
| Gasket material : | Polyurethane |

Temperatures :

| | |
|-------------------------------|-------------|
| Temperature °C (continuous) : | -40 ... 80 |
| Temperature °F (continuous) : | -40 ... 175 |

(238 x 158 x 1.5)

| | |
|--------------|---|
| EKV 22 | DIN-35 Mounting rail, for enclosures: (235 x 35 x 7) |
| EKJZR | Extension frame, for enclosures: (280 x 190 x 50) |
| MPI EKJ 2819 | Multiperforated plastic mounting plate (259 x 164 x 4) |

Ratings :

| | |
|-----------------------------------|-------------------|
| electrical_insulation : | Totally insulated |
| UV resistance : | UL 746C |
| Flammability Rating : | UL 94 V0 |
| Glow Wire Test (IEC 695-2-1) °C : | 960C |

Certificates :

SGSFIMKO_EK