

# TA191209



Sample image

**Order symbol :** TA191209

**Product nr :** 5814000

**Description :** Enclosure, ABS

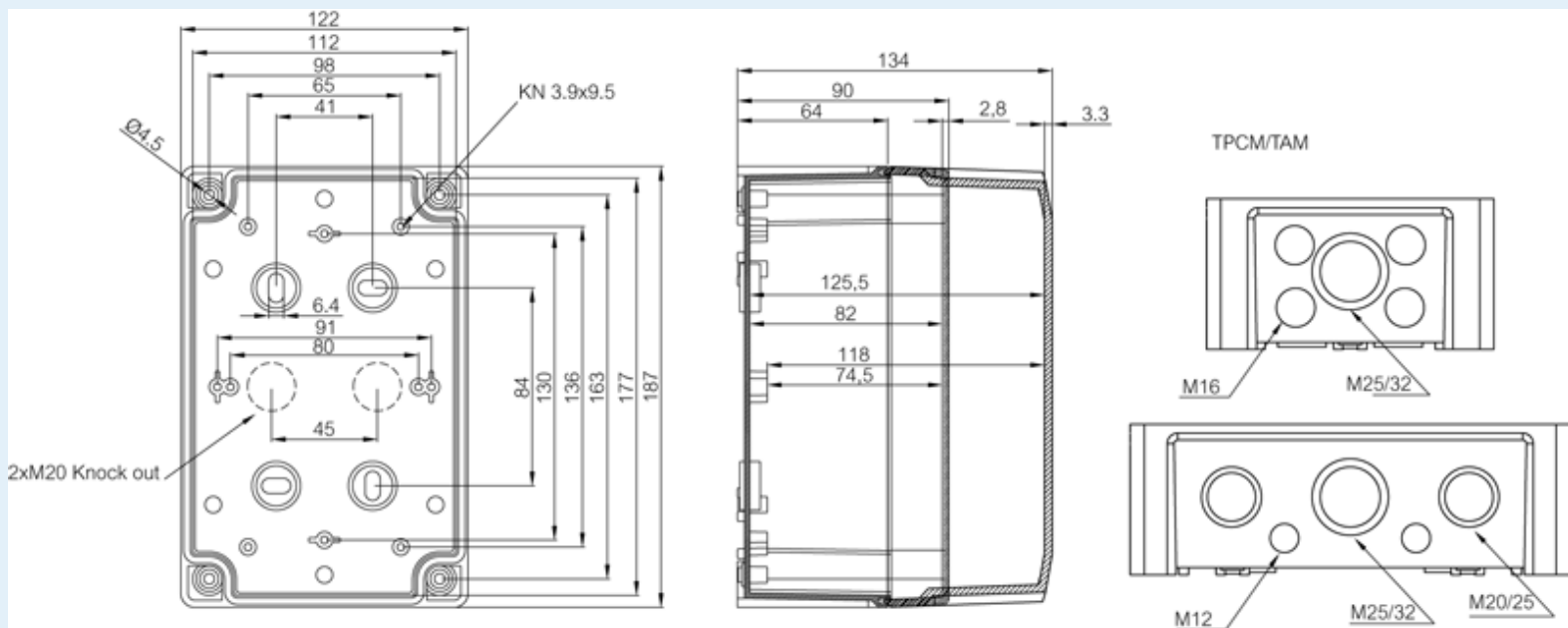
**Remarks :** Grey cover

**EAN :** 6418074060723

**El. number :**

- Finland : 3435682
- Denmark : 8212035001
- Sweden : 2508702

**Including :** Base with PUR gasket and screws for mounting plate/DIN-rail. cover with polyamide cover screws and plastic hinges.



| Dimensions : | Height | Width | Depth |
|--------------|--------|-------|-------|
| mm :         | 187    | 122   | 90    |
| inch :       | 7.36   | 4.8   | 3.54  |

## Materials :

|                   |                      |
|-------------------|----------------------|
| Material :        | ABS                  |
| Base colour :     | RAL_7035             |
| Cover colour :    | RAL 7035 -light grey |
| Gasket material : | Polyurethane         |

## Accessories :

|          |   |
|----------|---|
| MIV 10   | DIN-35 Mounting rail, for enclosures:<br>(100 x 35 x 7)   |
| MP 1912  | Mounting plate, for enclosures:<br>(140 x 100 x 1.5)      |
| DH-3     | DIN-35 Mounting rail, for enclosures:<br>(140 x 35 x 7)   |
| FP 10674 | Wall fastening lug (2 pcs) incl. screws<br>(40 x 88 x 14) |

**Temperatures :**

|                               |             |
|-------------------------------|-------------|
| Temperature °C (continuous) : | -40 ... 60  |
| Temperature °F (continuous) : | -40 ... 140 |

**Ratings :**

|   |                   |
|---|-------------------|
| Ingress protection (EN 60529):          | IP65;             |
| Impact Resistance (EN 62262):           | IK07;             |
| electrical_insulation :                 | Totally insulated |
| Halogen free (DIN/VDE 0472, Part 815) : | Yes               |
| UV resistance :                         | -                 |
| Flammability Rating :                   | UL 94 HB          |
| Glow Wire Test (IEC 695-2-1) °C :       | 650C              |

**Certificates :**

Certificate FI 40343