

TAM131308



Sample image

Order symbol : TAM131308

EAN : 6418074011459

Product nr : 5814023

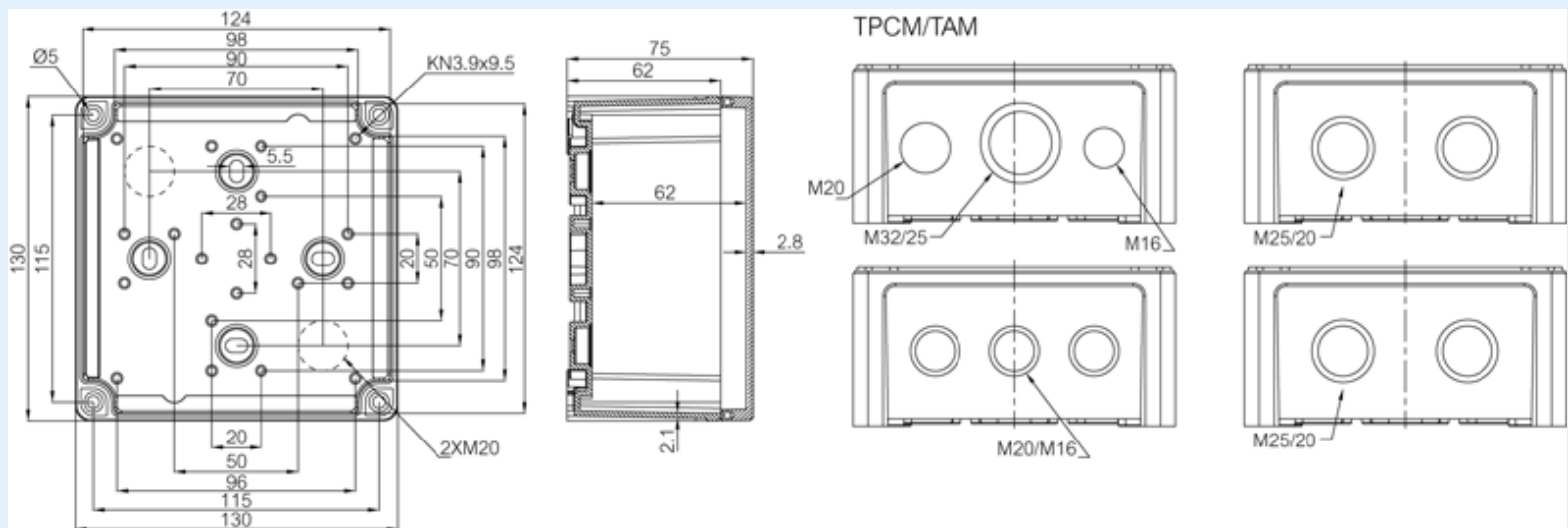
El. number :

Description : Enclosure, ABS, metric knock-outs

- Finland : 3438266
- Denmark : 8212045282
- Sweden : 2535682

Remarks : Grey cover

Including : Base with PUR gasket and screws for mounting plate/DIN-rail. cover with polyamide cover screws and plastic hinges.



Dimensions :	Height	Width	Depth
mm :	130	130	75
inch :	5.12	5.12	2.95

Accessories :

- MIV 10 DIN-35 Mounting rail, for enclosures: (100 x 35 x 7)
- FP 10674 Wall fastening lug (2 pcs) incl. screws (40 x 88 x 14)

Materials :

Material :	ABS
Base colour :	RAL_7035
Cover colour :	RAL 7035 -light grey
Gasket material :	Polyurethane

Ratings :

Ingress protection (EN 60529):	IP65;
Impact Resistance (EN 62262):	IK07;
electrical_insulation :	Totally insulated
Halogen free (DIN/VDE 0472, Part 815) :	Yes
UV resistance :	-

Temperatures :

Temperature °C (continuous) : -40 ... 60
Temperature °F (continuous) : -40 ... 140

Flammability Rating :

UL 94 HB

Glow Wire Test (IEC 695-2-1) °C :

650C

Certificates :

Certificate FI 40343