

# TAM191209



Sample image

**Order symbol :** TAM191209

**Product nr :** 5814024

**Description :** Enclosure, ABS, metric knock-outs

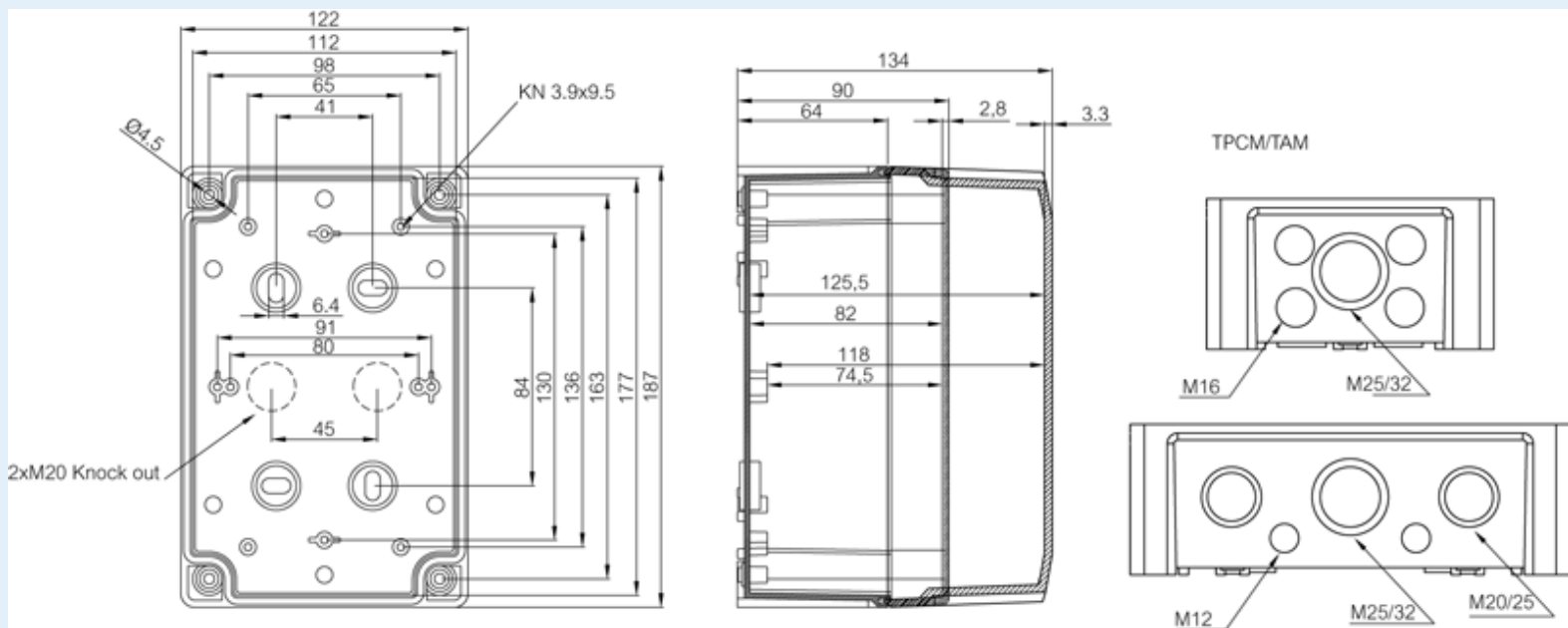
**Remarks :** Grey cover

**EAN :** 6418074062666

**El. number :**

- Finland : 3438005
- Denmark : 8212048836
- Sweden : 2535683

**Including :** Base with PUR gasket and screws for mounting plate/DIN-rail. cover with polyamide cover screws and plastic hinges.



Dimensions :	Height	Width	Depth
mm :	187	122	90
inch :	7.36	4.8	3.54

## Materials :

Material :	ABS
Base colour :	RAL_7035
Cover colour :	RAL 7035 -light grey
Gasket material :	Polyurethane

## Accessories :

MIV 10	DIN-35 Mounting rail, for enclosures: (100 x 35 x 7)
MP 1912	Mounting plate, for enclosures: (140 x 100 x 1.5)
DH-3	DIN-35 Mounting rail, for enclosures: (140 x 35 x 7)
FP 10674	Wall fastening lug (2 pcs) incl. screws (40 x 88 x 14)

**Temperatures :**

Temperature °C (continuous) :	-40 ... 60
Temperature °F (continuous) :	-40 ... 140

**Ratings :**

Ingress protection (EN 60529):	IP65;
Impact Resistance (EN 62262):	IK07;
electrical_insulation :	Totally insulated
Halogen free (DIN/VDE 0472, Part 815) :	Yes
UV resistance :	-
Flammability Rating :	UL 94 HB
Glow Wire Test (IEC 695-2-1) °C :	650C

**Certificates :**

Certificate FI 40343