

TAM201610



Sample image

Order symbol : TAM201610

EAN : 6418074062673

Product nr : 5814025

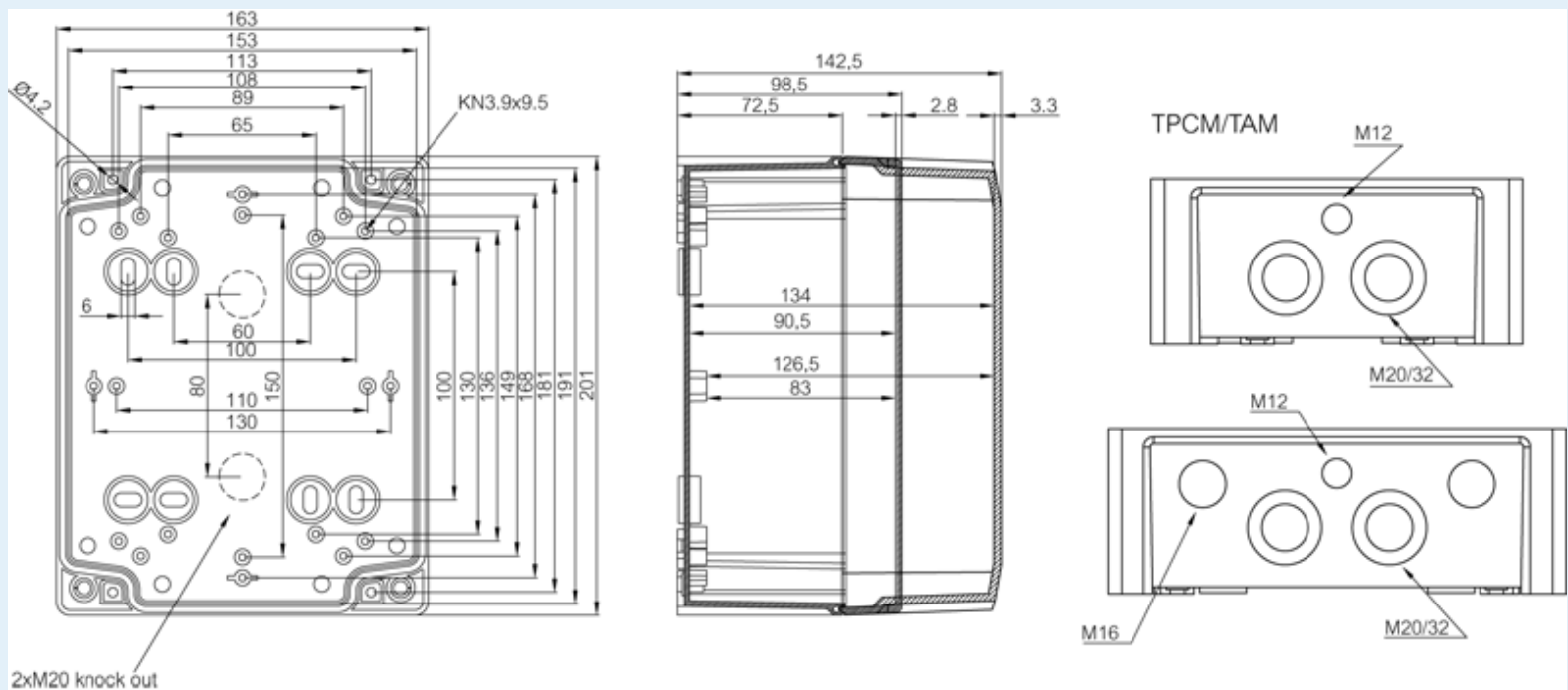
El. number :

Description : Enclosure, ABS, metric knock-outs

- Finland : 3438006
- Denmark : 8212048849
- Sweden : 2535684

Remarks : Grey cover

Including : Base with PUR gasket and screws for mounting plate/DIN-rail. cover with polyamide cover screws and plastic hinges.



Dimensions :	Height	Width	Depth
mm :	201	163	99
inch :	7.91	6.42	3.9

Materials :

Material :	ABS
Base colour :	RAL_7035

Accessories :

ARH 2320	DIN-35 Mounting rail, for enclosures: (180 x 35 x 7)
MP 2016	Mounting plate, for enclosures: (155 x 140 x 1.5)
DH-3	DIN-35 Mounting rail, for enclosures: (140 x 35 x 7)
FP 10674	Wall fastening lug (2 pcs) incl. screws (40 x 88 x 14)

Cover colour : RAL 7035 -light grey

Gasket material : Polyurethane

Temperatures :

Temperature °C (continuous) : -40 ... 60

Temperature °F (continuous) : -40 ... 140

Ratings :

Ingress protection (EN 60529): IP65;

Impact Resistance (EN 62262): IK07;

electrical_insulation : Totally insulated

Halogen free (DIN/VDE 0472, Part 815) : Yes

UV resistance : -

Flammability Rating : UL 94 HB

Glow Wire Test (IEC 695-2-1) °C : 650C

Certificates :

Certificate FI 40343