

TA111107



Sample image

Order symbol : TA111107

Product nr : 5814039

Description : Enclosure, ABS

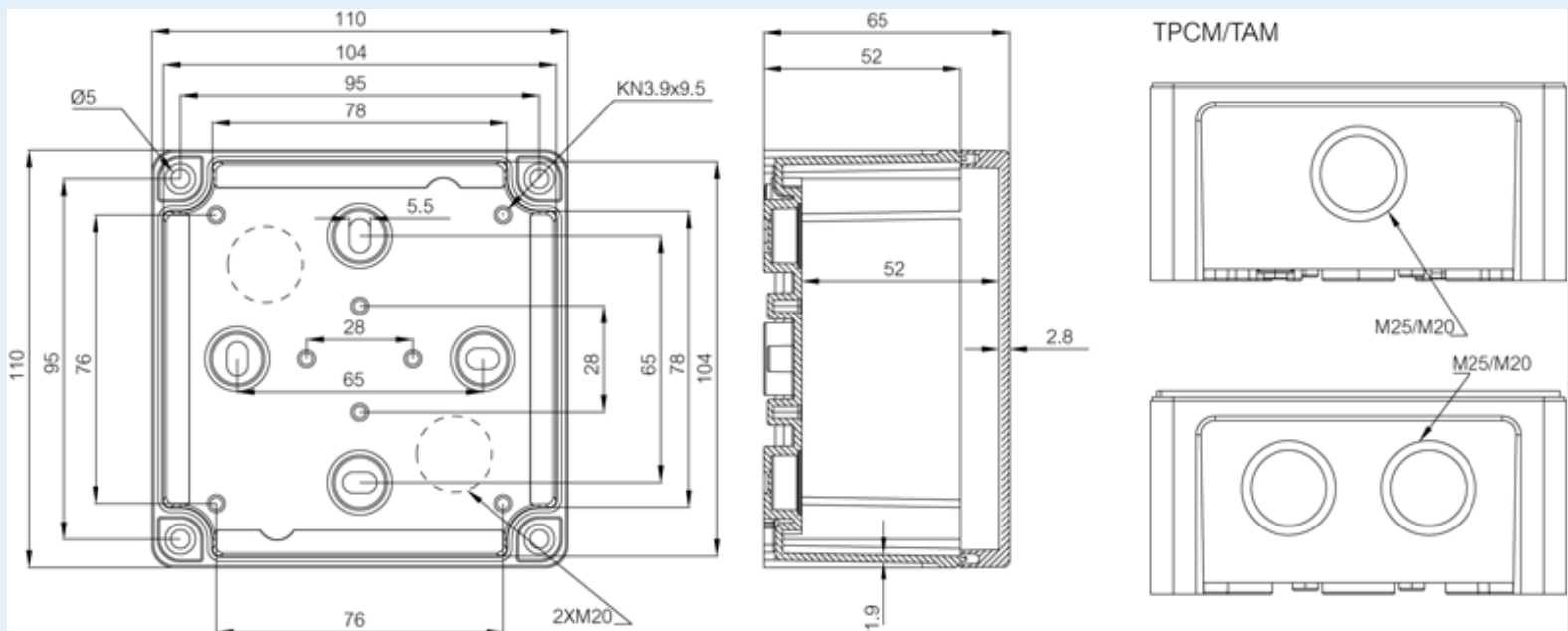
Remarks : Grey cover

EAN : 6418074011473

El. number :

- Finland : 3438268
- Denmark : 8212045224
- Sweden : 2508708

Including : Base with PUR gasket and screws for mounting plate/DIN-rail. cover with polyamide cover screws and plastic hinges.



Dimensions :	Height	Width	Depth
mm :	110	110	65
inch :	4.33	4.33	2.56

Accessories :

FP 10674 Wall fastening lug (2 pcs) incl. screws (40 x 88 x 14)

Materials :

Material :	ABS
Base colour :	RAL_7035
Cover colour :	RAL 7035 -light grey

Ratings :

Ingress protection (EN 60529):	IP65;
Impact Resistance (EN 62262):	IK07;
electrical_insulation :	Totally insulated
Halogen free (DIN/VDE 0472, Part 815) :	Yes

Gasket material : Polyurethane

UV resistance : -

Flammability Rating : UL 94 HB

Glow Wire Test (IEC 695-2-1) °C : 650C

Temperatures :

Temperature °C (continuous) : -40 ... 60

Temperature °F (continuous) : -40 ... 140

Certificates :

Certificate FI 40343