

TPCM 191209T



Sample image

Order symbol : TPCM 191209T

Product nr : 5824029

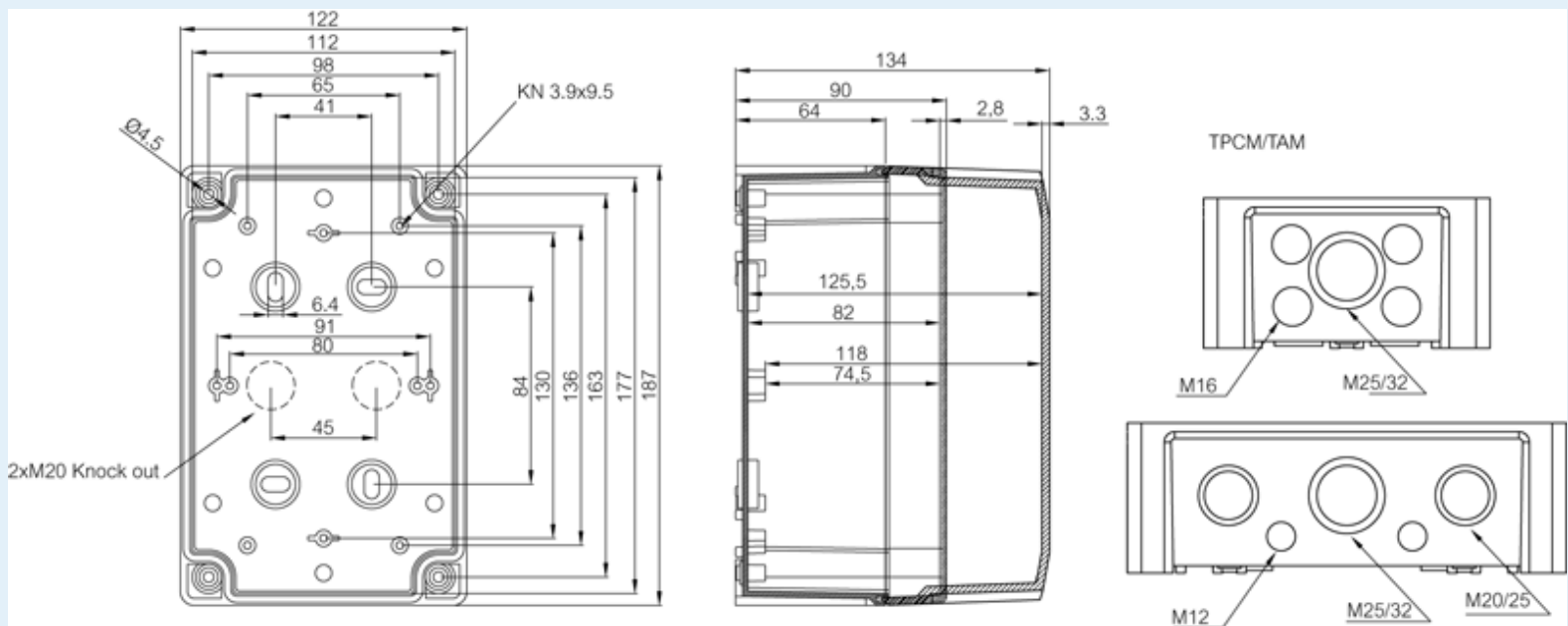
Description : Enclosure, PC, metric knock-outs

Remarks : Clear transparent cover

EAN : 6418074087133

El. number :

- Finland : 3424397
- Denmark : 8212052220
- Sweden : 2508280



Dimensions :	Height	Width	Depth
mm :	187	122	90
inch :	7.36	4.8	3.54

Materials :

Material :	Polycarbonate
Base colour :	RAL_7035
Cover colour :	Clear transparent
Gasket material :	Polyurethane

Accessories :

MIV 10	DIN-35 Mounting rail, for enclosures: (100 x 35 x 7)
MP 1912	Mounting plate, for enclosures: (140 x 100 x 1.5)
DH-3	DIN-35 Mounting rail, for enclosures: (140 x 35 x 7)
FP 10674	Wall fastening lug (2 pcs) incl. screws (40 x 88 x 14)

Temperatures :

Temperature °C (continuous) :	-40 ... 80
Temperature °F (continuous) :	-40 ... 175

Ratings :

Ingress protection (EN 60529):	IP65;
Impact Resistance (EN 62262):	IK07; IK08;
electrical_insulation :	Totally insulated
Halogen free (DIN/VDE 0472, Part 815) :	Yes
UV resistance :	UL 746C
Flammability Rating :	UL 94 V0
Glow Wire Test (IEC 695-2-1) °C :	960C

Certificates :

Certificate FI 40343