

TPCM 201610T



Sample image

Order symbol : TPCM 201610T

Product nr : 5824030

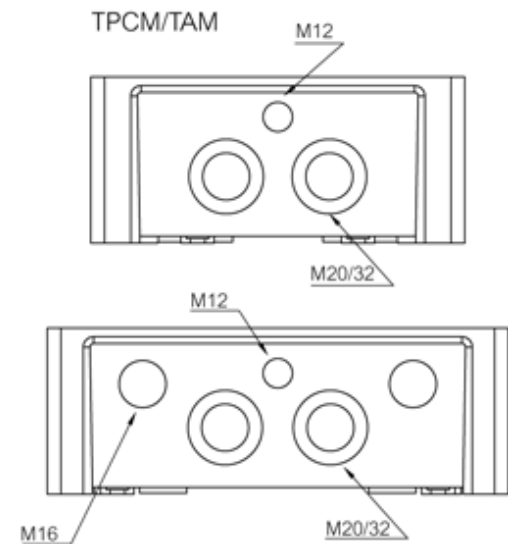
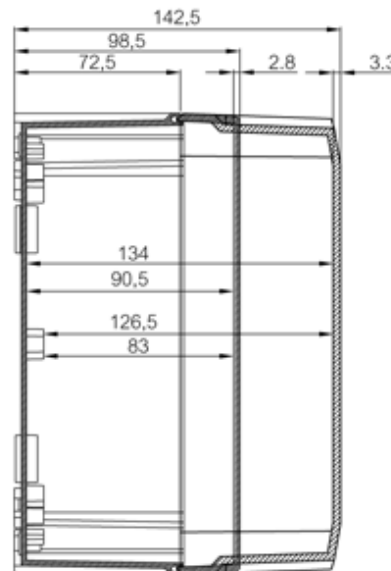
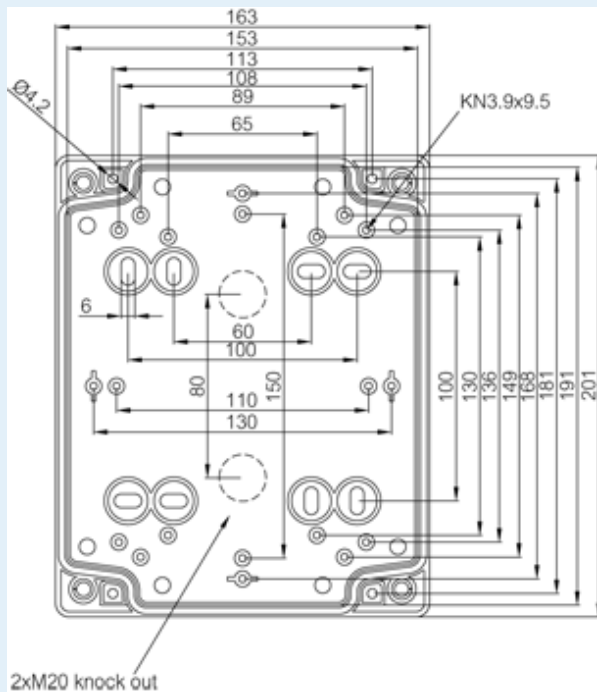
Description : Enclosure, PC, metric knock-outs

Remarks : Clear transparent cover

EAN : 6418074087201

El. number :

- Finland : 3424398
- Denmark : 8212052246
- Sweden : 2508281



Dimensions :	Height	Width	Depth
mm :	201	163	99

Materials :

Material :	Polycarbonate
Base colour :	RAL_7035
Cover colour :	Clear transparent

Accessories :

ARH 2320	DIN-35 Mounting rail, for enclosures: (180 x 35 x 7)
MP 2016	Mounting plate, for enclosures: (155 x 140 x 1.5)
DH-3	DIN-35 Mounting rail, for enclosures: (140 x 35 x 7)
FP 10674	Wall fastening lug (2 pcs) incl. screws (40 x 88 x 14)

Gasket material : Polyurethane

Temperatures :

Temperature °C (continuous) : -40 ... 80

Temperature °F (continuous) : -40 ... 175

Ratings :

Ingress protection (EN 60529): IP65;

Impact Resistance (EN 62262): IK07; IK08;

electrical_insulation : Totally insulated

Halogen free (DIN/VDE 0472, Part 815) : Yes

UV resistance : UL 746C

Flammability Rating : UL 94 V0

Glow Wire Test (IEC 695-2-1) °C : 960C

Certificates :

Certificate FI 40343