

# PC 100/125 HT

Sample image

**Order symbol :** PC 100/125 HT

**EAN :** 6418074022301

**Product nr :** 6011904

**El. number :**

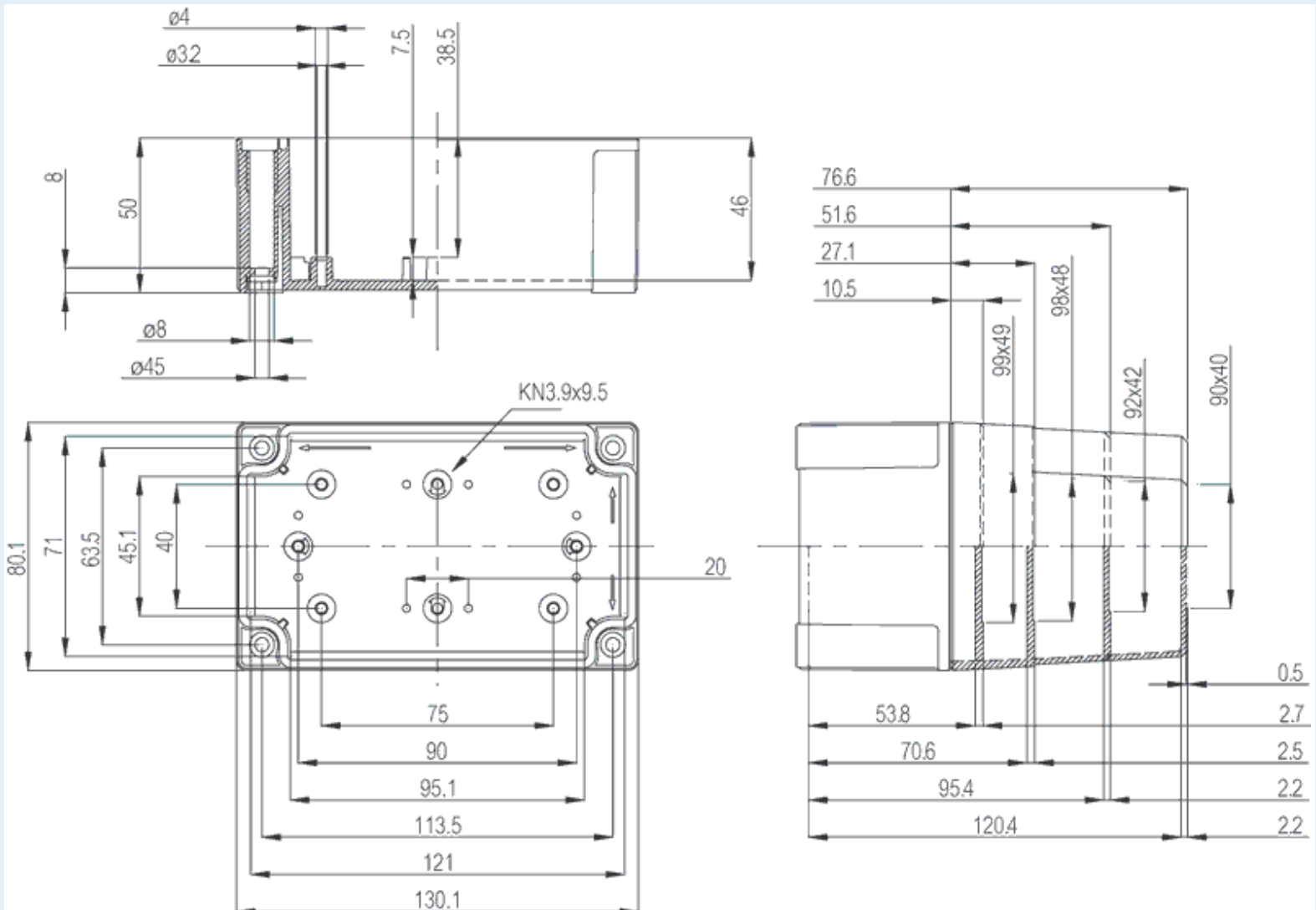
UL Name : UL PC 100/125HT

- Finland : 3420425
- Denmark : 8212022357
- Sweden : 2535618

**Description :** Enclosure, PC

**Remarks :** High base, smoked transparent cover

**Including :** Base with TPE gasket. screws for mounting plate/DIN-rail and cover with polyamide cover screws.



**Dimensions :**

**Height**

**Width**

**Depth**

**Accessories :**

mm : 130 80 125

**Materials :**

Material : Polycarbonate  
Base colour : RAL\_7035  
Cover colour : Clear transparent  
Gasket material : Polyurethane

**Temperatures :**

Temperature °C (continuous) : -40 ... 80  
Temperature °F (continuous) : -40 ... 175

MIV 10 DIN-35 Mounting rail, for enclosures:  
(100 x 35 x 7)  
MIV 5 DIN-35 Mounting rail, for enclosures:  
(50 x 35 x 7)  
MIV 100 Mounting plate (Galvanized steel), for enclosures:  
(98 x 48 x 1.5)  
FP 22046 Wall fastening lug (4 pcs)  
(35 x 16 x 10)

**Ratings :**

Ingress protection (EN 60529): IP66; IP67;  
Impact Resistance (EN 62262): IK08;  
electrical\_insulation : Totally insulated  
Halogen free (DIN/VDE 0472, Part 815) : Yes  
UV resistance : UL 746C  
Flammability Rating : UL 94 V0  
Glow Wire Test (IEC 695-2-1) °C : 960C

**Certificates :**

Certificate FI 40847