

PCM 200/88 XG

Sample image

Order symbol : PCM 200/88 XG

EAN : 6418074051974

Product nr : 6015330

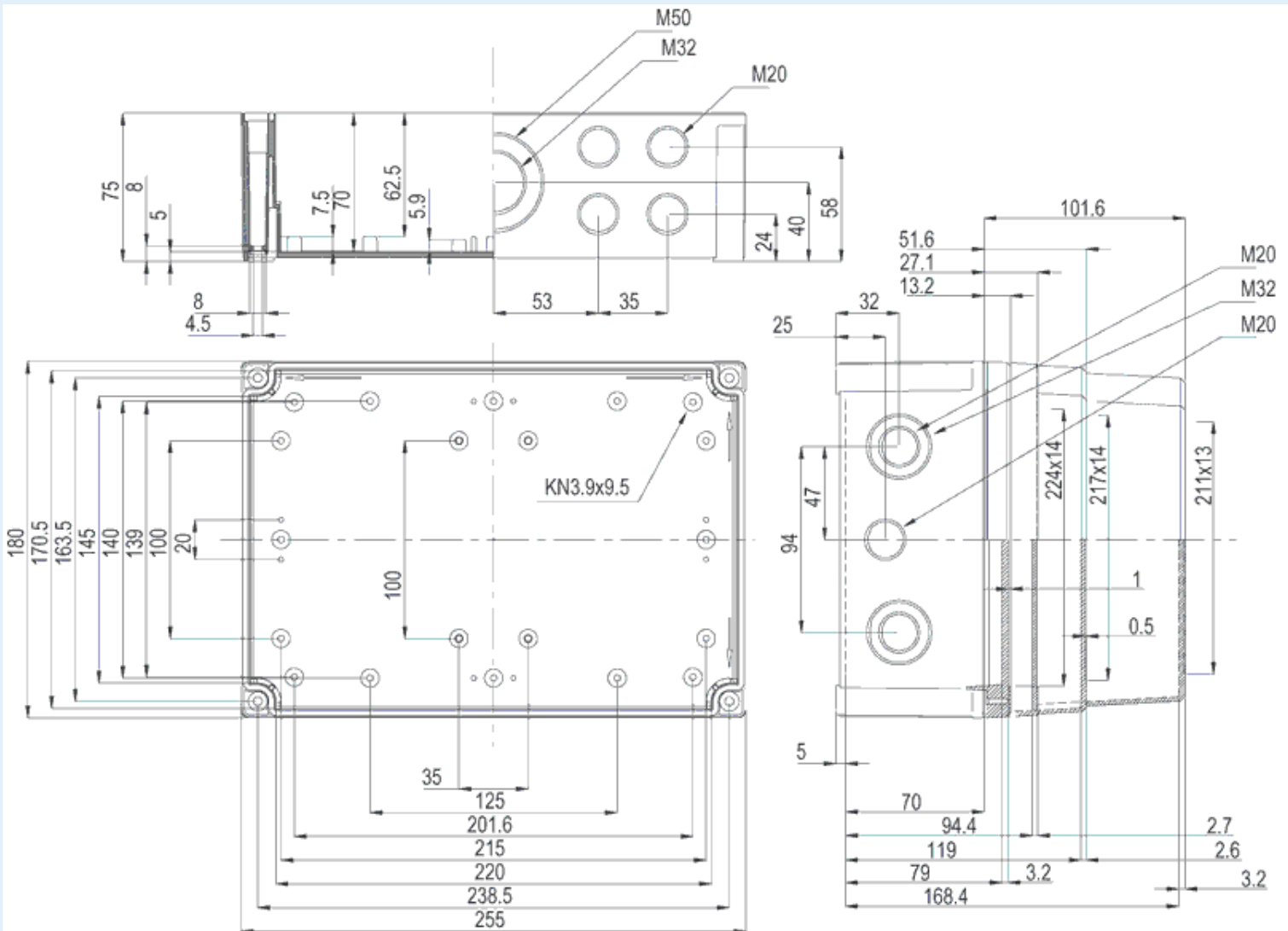
El. number :

Description : Enclosure, PC, metric knock-outs

- Finland : 3435274
- Denmark : 8212027459
- Sweden : 2535354

Remarks : Extra high base, grey cover

Including : Base with TPE gasket. screws for mounting plate/DIN-rail and cover with polyamide cover screws.



Dimensions :

mm : **Height** **Width** **Depth**

mm : 255 180 88

Accessories :

MIV 200 Mounting plate (Galvanized steel), for enclosures:

inch : 10.04 7.09 3.46

Materials :

Material : Polycarbonate
Base colour : RAL_7035
Cover colour : RAL 7035 -light grey
Gasket material : Polyurethane

Temperatures :

Temperature °C (continuous) : -40 ... 80
Temperature °F (continuous) : -40 ... 175

(223 x 148 x 1.5)

MIV 15 DIN-35 Mounting rail, for enclosures:
(150 x 35 x 7)
FP 22046 Wall fastening lug (4 pcs)
(35 x 16 x 10)
MIV 20 DIN-35 Mounting rail, for enclosures:
(225 x 35 x 7)

Ratings :

Ingress protection (EN 60529): IP66; IP67;
Impact Resistance (EN 62262): IK08;
electrical_insulation : Totally insulated
Halogen free (DIN/VDE 0472, Part 815) : Yes
UV resistance : UL 746C
Flammability Rating : UL 94 V0
Glow Wire Test (IEC 695-2-1) °C : 960C

Certificates :

Certificate FI 40847