

PCM 200/100 XT

Sample image

Order symbol : PCM 200/100 XT

Product nr : 6015926

Description : Enclosure, PC, metric knock-outs

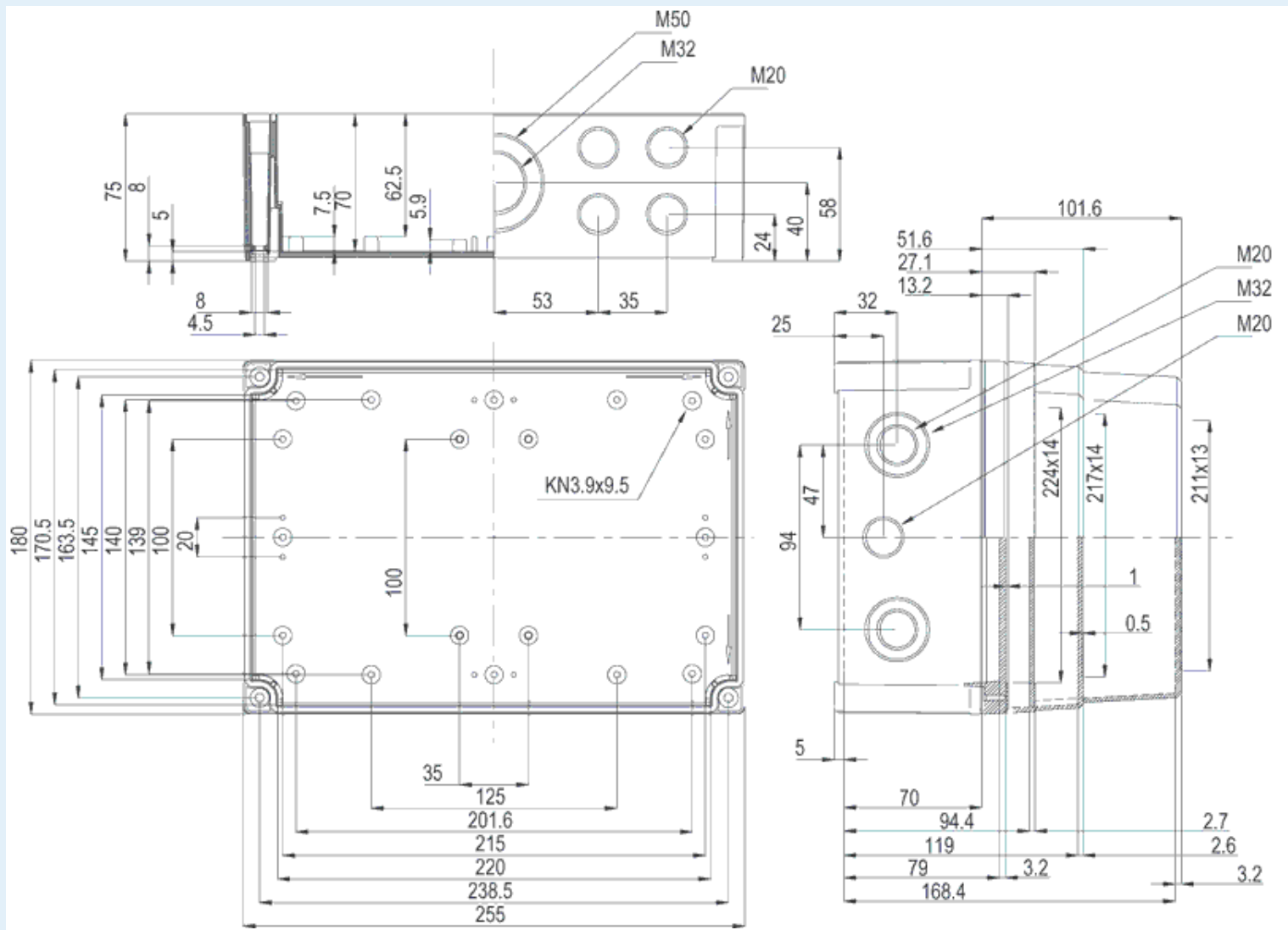
Remarks : Extra high base, smoked transparent cover

EAN : 6418074038395

El. number :

- Finland : 3421627
- Denmark : 8212027352
- Sweden : 2535457

Including : Base with TPE gasket. screws for mounting plate/DIN-rail and cover with polyamide cover screws.



Dimensions :
mm : **Height** **Width** **Depth**

Materials :

Material : Polycarbonate
Base colour : RAL_7035
Cover colour : Clear transparent
Gasket material : Polyurethane

Temperatures :

Temperature °C (continuous) : -40 ... 80
Temperature °F (continuous) : -40 ... 175

Accessories :

- MIV 200 Mounting plate (Galvanized steel), for enclosures: (223 x 148 x 1.5)
- MIV 15 DIN-35 Mounting rail, for enclosures: (150 x 35 x 7)
- FP 22046 Wall fastening lug (4 pcs) (35 x 16 x 10)
- MIV 20 DIN-35 Mounting rail, for enclosures: (225 x 35 x 7)

Ratings :

Ingress protection (EN 60529): IP66; IP67;
Impact Resistance (EN 62262): IK08;
electrical_insulation : Totally insulated
Halogen free (DIN/VDE 0472, Part 815) : Yes
UV resistance : UL 746C
Flammability Rating : UL 94 V0
Glow Wire Test (IEC 695-2-1) °C : 960C

Certificates :

