

# PCM 200/88 XT

Sample image

**Order symbol :** PCM 200/88 XT

**Product nr :** 6015930

**Description :** Enclosure, PC, metric knock-outs

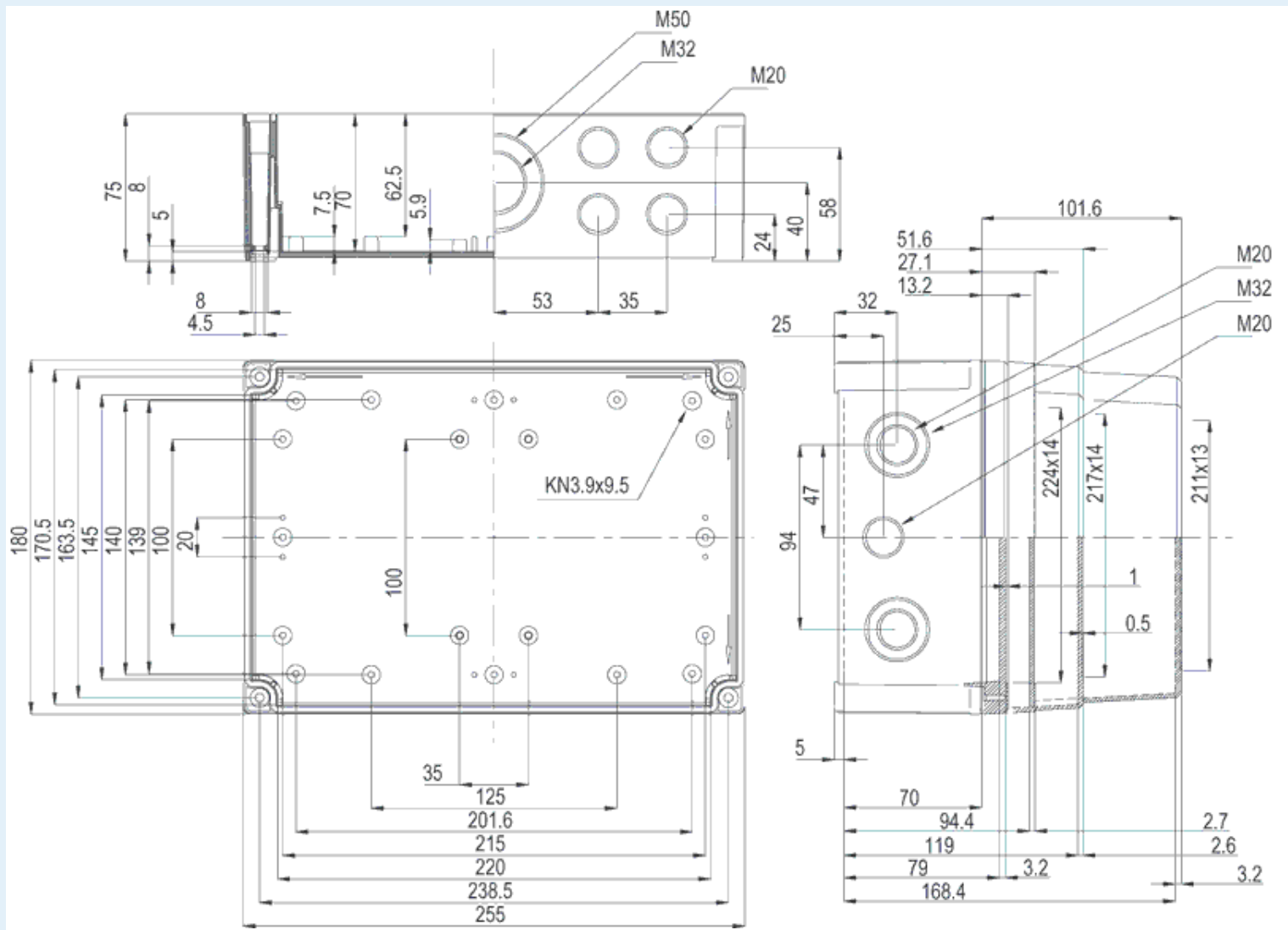
**Remarks :** Extra high base, smoked transparent cover

**EAN :** 6418074051981

**El. number :**

- Finland : 3435268
- Denmark : 8212027475
- Sweden : 2535454

**Including :** Base with TPE gasket. screws for mounting plate/DIN-rail and cover with polyamide cover screws.



Dimensions :	Height	Width	Depth
mm :	255	180	88
inch :	10.04	7.09	3.46

#### Materials :

Material :	Polycarbonate
Base colour :	RAL_7035
Cover colour :	Clear transparent
Gasket material :	Polyurethane

#### Temperatures :

Temperature °C (continuous) :	-40 ... 80
Temperature °F (continuous) :	-40 ... 175

#### Accessories :

MIV 200	Mounting plate (Galvanized steel), for enclosures: (223 x 148 x 1.5)
MIV 15	DIN-35 Mounting rail, for enclosures: (150 x 35 x 7)
FP 22046	Wall fastening lug (4 pcs) (35 x 16 x 10)
MIV 20	DIN-35 Mounting rail, for enclosures: (225 x 35 x 7)

#### Ratings :

Ingress protection (EN 60529):	IP66; IP67;
Impact Resistance (EN 62262):	IK08;
electrical_insulation :	Totally insulated
Halogen free (DIN/VDE 0472, Part 815) :	Yes
UV resistance :	UL 746C
Flammability Rating :	UL 94 V0
Glow Wire Test (IEC 695-2-1) °C :	960C

#### Certificates :

