

# PCM 125/100 G



Sample image

**Order symbol :** PCM 125/100 G

**EAN :** 6418074038050

**Product nr :** 6016309

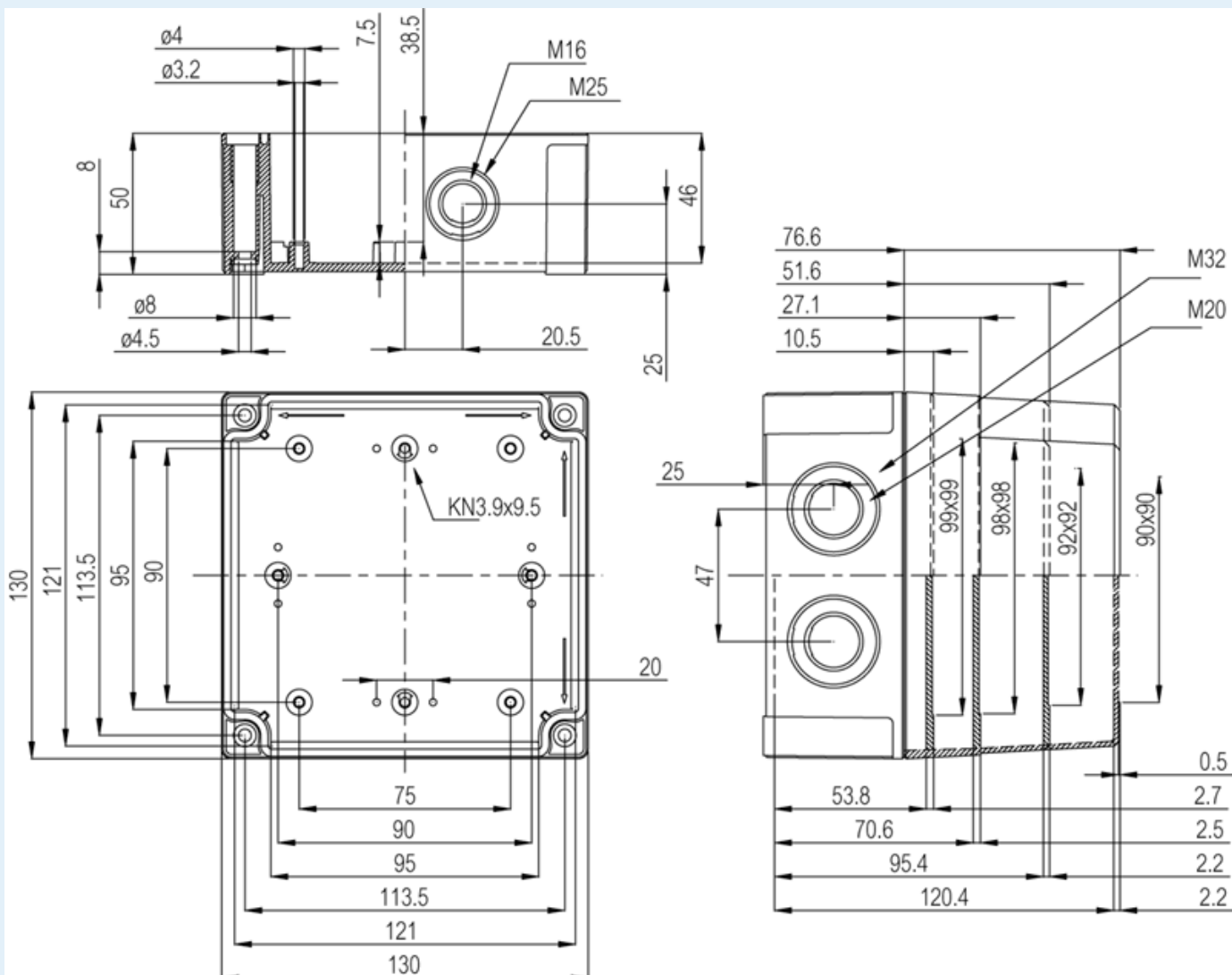
**El. number :**

**Description :** Enclosure, PC, metric knock-outs

- Finland : 3421637
- Denmark : 8212027103
- Sweden : 2535318

**Remarks :** Grey cover

**Including :** Base with TPE gasket. screws for mounting plate/DIN-rail and cover with polyamide cover screws.



**Dimensions :**

	<b>Height</b>	<b>Width</b>	<b>Depth</b>
mm :	130	130	100
inch :	5.12	5.12	3.94

**Materials :**

Material :	Polycarbonate
Base colour :	RAL_7035
Cover colour :	RAL 7035 -light grey
Gasket material :	TPE

**Temperatures :**

Temperature °C (continuous) :	-40 ... 80
Temperature °F (continuous) :	-40 ... 175

**Accessories :**

MIV 10	DIN-35 Mounting rail, for enclosures: (100 x 35 x 7)
FP 22046	Wall fastening lug (4 pcs) (35 x 16 x 10)
MIV 125	Mounting plate (Galvanized steel), for enclosures: (98 x 98 x 1.5)

**Ratings :**

Ingress protection (EN 60529):	IP66; IP67;
Impact Resistance (EN 62262):	IK08;
electrical_insulation :	Totally insulated
Halogen free (DIN/VDE 0472, Part 815) :	Yes
UV resistance :	UL 746C
Flammability Rating :	UL 94 V0
Glow Wire Test (IEC 695-2-1) °C :	960C

**Certificates :**

Certificate FI 40847