

PCM 175/125 G



Sample image

Order symbol : PCM 175/125 G

EAN : 6418074052254

Product nr : 6016322

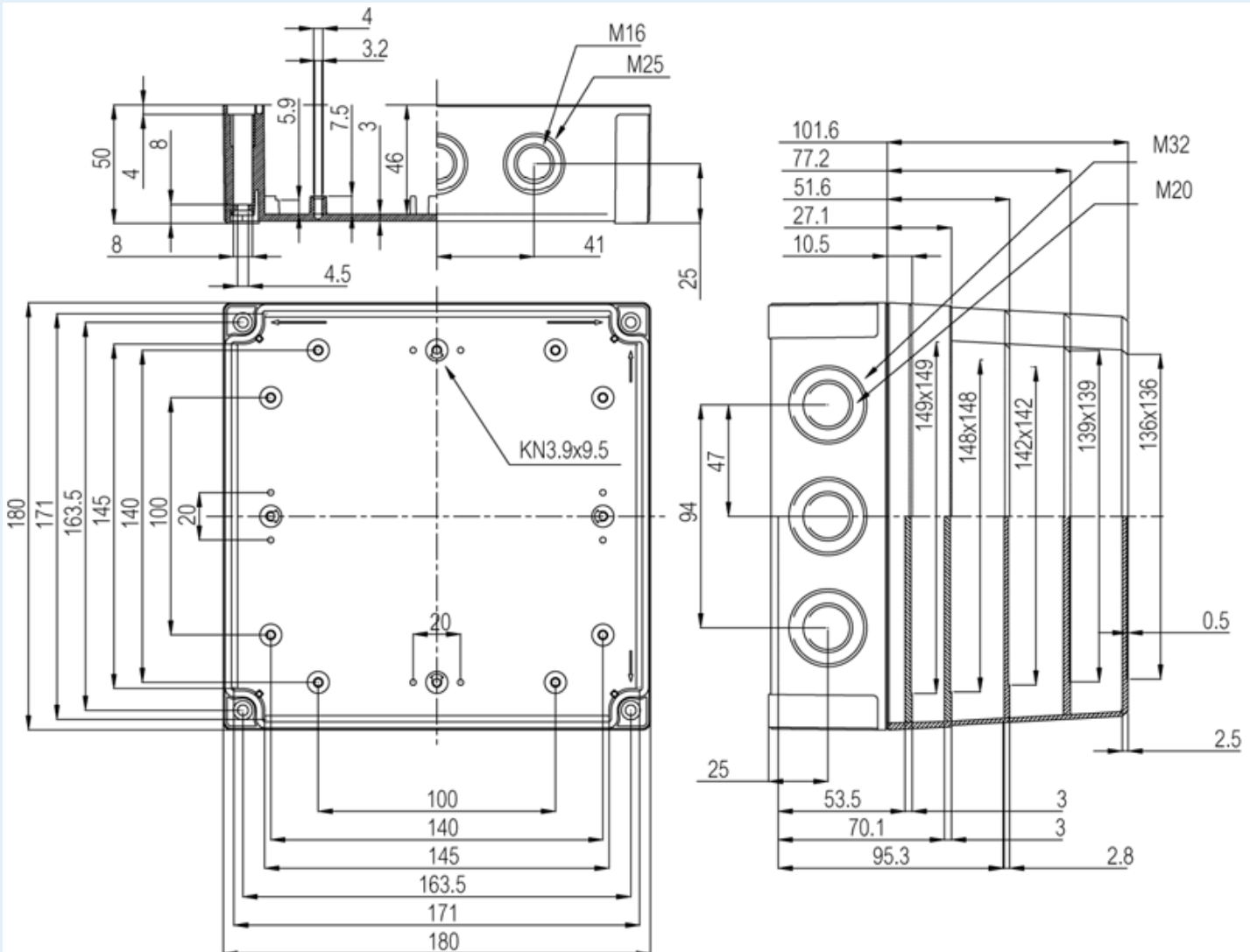
El. number :

Description : Enclosure, PC, metric knock-outs

- Finland : 3435228
- Denmark : 8212027527
- Sweden : 2535340

Remarks : Grey cover

Including : Base with TPE gasket. screws for mounting plate/DIN-rail and cover with polyamide cover screws.



Dimensions :

| | Height | Width | Depth |
|--------|---------------|--------------|--------------|
| mm : | 180 | 180 | 125 |
| inch : | 7.09 | 7.09 | 4.92 |

Materials :

| | |
|-------------------|----------------------|
| Material : | Polycarbonate |
| Base colour : | RAL_7035 |
| Cover colour : | RAL 7035 -light grey |
| Gasket material : | TPE |

Temperatures :

| | |
|-------------------------------|-------------|
| Temperature °C (continuous) : | -40 ... 80 |
| Temperature °F (continuous) : | -40 ... 175 |

Accessories :

| | |
|----------|---|
| MIV 175 | Mounting plate (Galvanized steel), for enclosures: (148 x 148 x 1.5) |
| MIV 15 | DIN-35 Mounting rail, for enclosures: (150 x 35 x 7) |
| FP 22046 | Wall fastening lug (4 pcs) (35 x 16 x 10) |

Ratings :

| | |
|---|-------------------|
| Ingress protection (EN 60529): | IP66; IP67; |
| Impact Resistance (EN 62262): | IK08; |
| electrical_insulation : | Totally insulated |
| Halogen free (DIN/VDE 0472, Part 815) : | Yes |
| UV resistance : | UL 746C |
| Flammability Rating : | UL 94 V0 |
| Glow Wire Test (IEC 695-2-1) °C : | 960C |

Certificates :

Certificate FI 40847