

PCM 200/63 G



Sample image

Order symbol : PCM 200/63 G

Product nr : 6016324

Description : Enclosure, PC, metric knock-outs

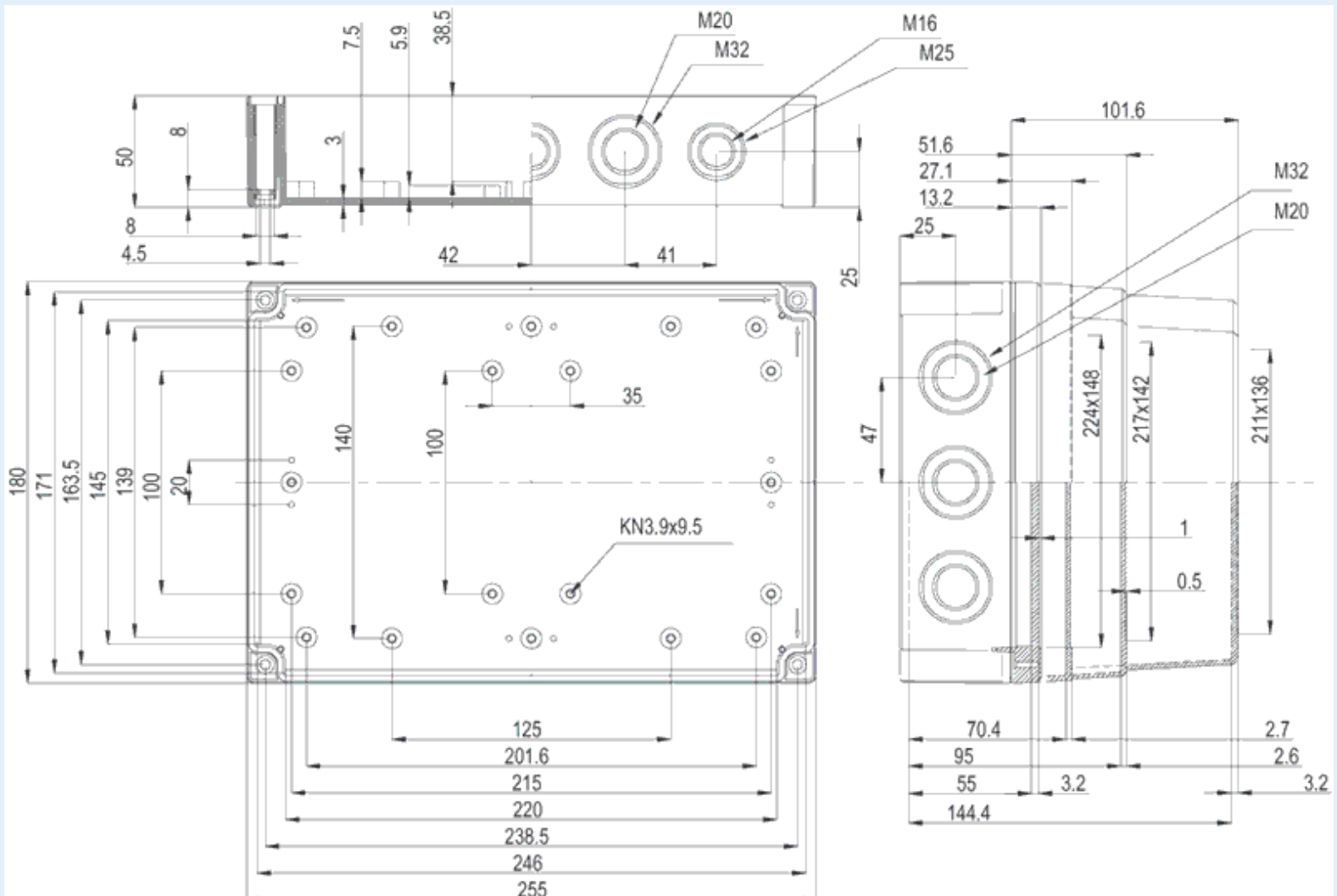
Remarks : Grey cover

EAN : 6418074051950

El. number :

- Finland : 3435270
- Denmark : 8212027446
- Sweden : 2535342

Including : Base with TPE gasket. screws for mounting plate/DIN-rail and cover with polyamide cover screws.



Dimensions :

	Height	Width	Depth
mm :	255	180	63
inch :	10.04	7.09	2.48

Materials :

Material :	Polycarbonate
Base colour :	RAL_7035
Cover colour :	RAL 7035 -light grey
Gasket material :	TPE

Temperatures :

Temperature °C (continuous) :	-40 ... 80
Temperature °F (continuous) :	-40 ... 175

Accessories :

MIV 200	Mounting plate (Galvanized steel), for enclosures: (223 x 148 x 1.5)
MIV 15	DIN-35 Mounting rail, for enclosures: (150 x 35 x 7)
FP 22046	Wall fastening lug (4 pcs) (35 x 16 x 10)
MIV 20	DIN-35 Mounting rail, for enclosures: (225 x 35 x 7)

Ratings :

Ingress protection (EN 60529):	IP66; IP67;
Impact Resistance (EN 62262):	IK08;
electrical_insulation :	Totally insulated
Halogen free (DIN/VDE 0472, Part 815) :	Yes
UV resistance :	UL 746C
Flammability Rating :	UL 94 V0
Glow Wire Test (IEC 695-2-1) °C :	960C

Certificates :

Certificate FI 40847