

PCM 95/75 G



Sample image

Order symbol : PCM 95/75 G

Product nr : 6016332

UL Name : UL PCM 95/75 G

Description : Enclosure, PC, metric knock-outs

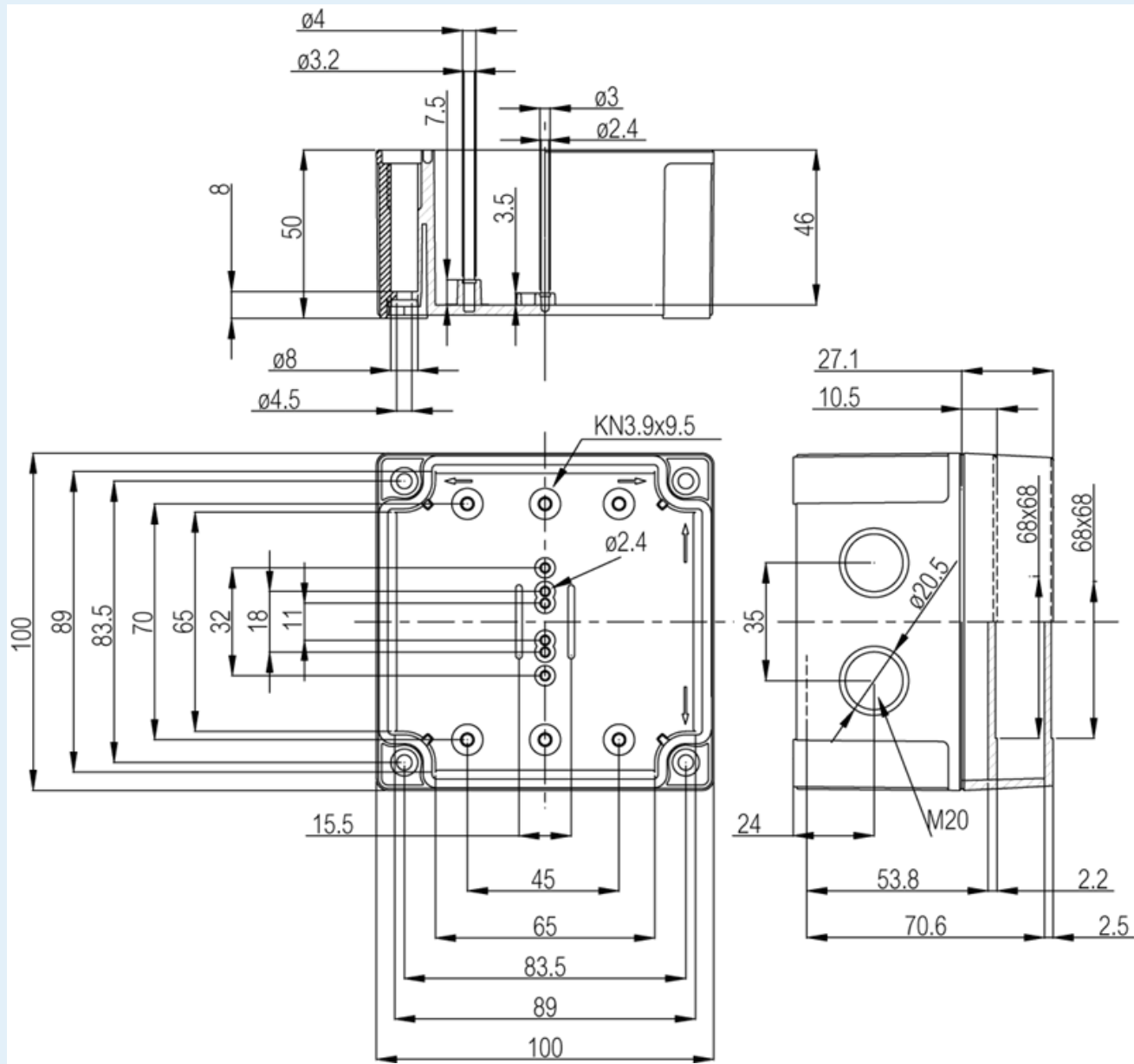
Remarks : Grey cover

Including : Base with PUR gasket. screws for mounting plate/DIN-rail and cover with polyamide cover screws.

EAN : 6418074054784

El. number :

- Finland : 3421394
- Denmark : 8212027585
- Sweden : 2535301



Dimensions :

	Height	Width	Depth
mm :	100	100	75
inch :	3.94	3.94	2.95

Materials :

Material :	Polycarbonate
Base colour :	RAL_7035
Cover colour :	RAL 7035 -light grey
Gasket material :	Polyurethane

Temperatures :

Temperature °C (continuous) :	-40 ... 80
Temperature °F (continuous) :	-40 ... 175

Accessories :

B-3	DIN-35 Mounting rail, for enclosures: (80 x 35 x 7)
FP 22046	Wall fastening lug (4 pcs) (35 x 16 x 10)
MIV 95	Mounting plate (Galvanized steel), for enclosures: (66 x 80 x 1.5)

Ratings :

Ingress protection (EN 60529):	IP66; IP67;
Impact Resistance (EN 62262):	IK08;
electrical_insulation :	Totally insulated
Halogen free (DIN/VDE 0472, Part 815) :	Yes
UV resistance :	UL 746C
Flammability Rating :	UL 94 V0
Glow Wire Test (IEC 695-2-1) °C :	960C

Certificates :

Certificate FI 40847