

# PCM 150/100 XG

Sample image

**Order symbol :** PCM 150/100 XG

**EAN :** 6418074061423

**Product nr :** 6016334

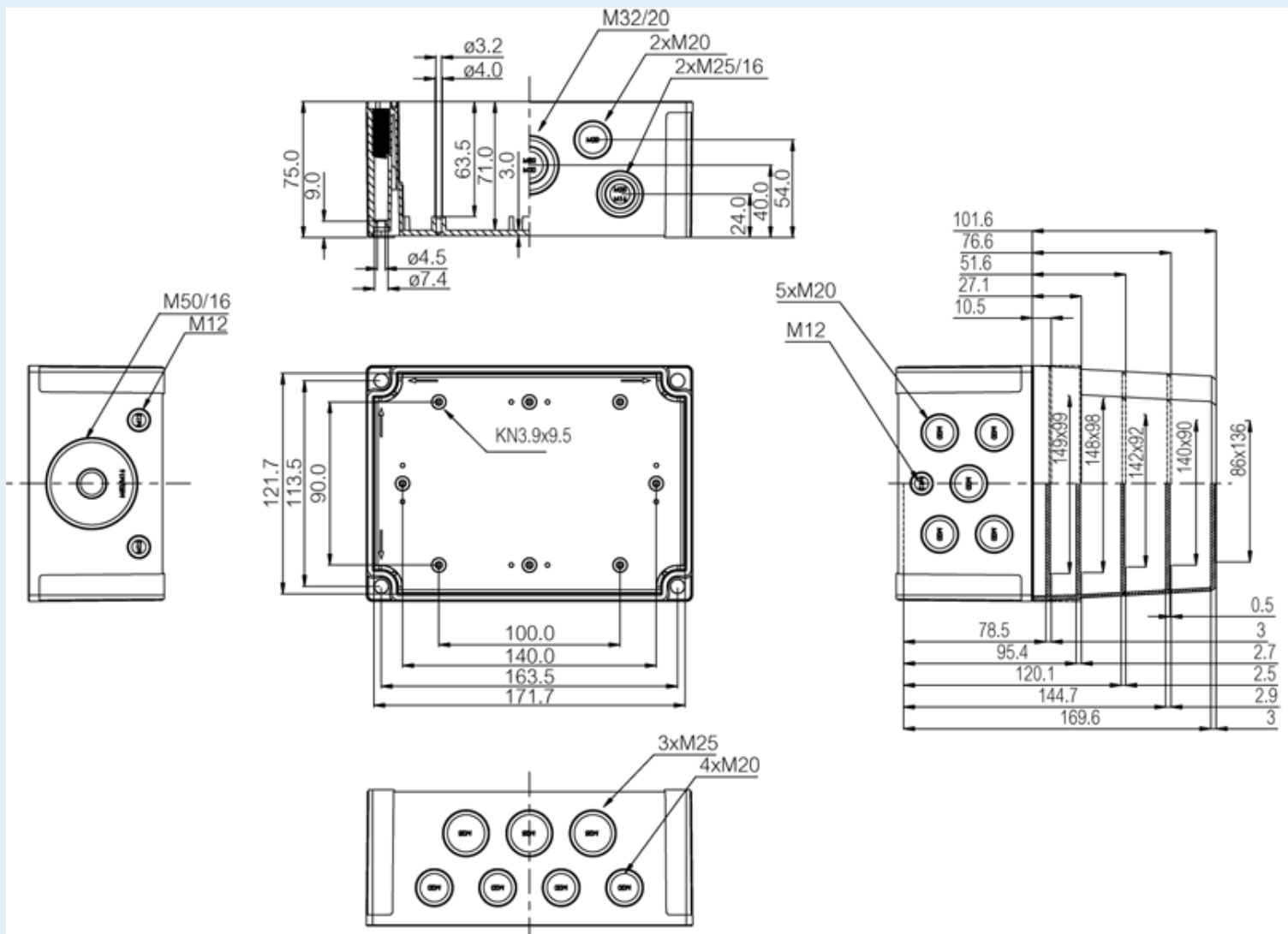
**El. number :**

**Description :** Enclosure, PC, metric knock-outs

- Finland : 3435654
- Sweden : 2535369

**Remarks :** Extra high base, grey cover

**Including :** Base with TPE gasket. screws for mounting plate/DIN-rail and cover with polyamide cover screws.



**Dimensions :**

mm :

**Height**

180

**Width**

130

**Depth**

100

**Accessories :**

MIV 10 DIN-35 Mounting rail, for enclosures:

inch : 7.09 5.12 3.94

**Materials :**

Material : Polycarbonate  
Base colour : RAL\_7035  
Cover colour : RAL 7035 -light grey  
Gasket material : Polyurethane

**Temperatures :**

Temperature °C (continuous) : -40 ... 80  
Temperature °F (continuous) : -40 ... 175

(100 x 35 x 7)

MIV 150 Mounting plate (Galvanized steel), for enclosures:  
(148 x 98 x 1.5)  
MIV 15 DIN-35 Mounting rail, for enclosures:  
(150 x 35 x 7)  
FP 22046 Wall fastening lug (4 pcs)  
(35 x 16 x 10)

**Ratings :**

Ingress protection (EN 60529): IP66; IP67;  
Impact Resistance (EN 62262): IK08;  
electrical\_insulation : Totally insulated  
Halogen free (DIN/VDE 0472, Part 815) : Yes  
UV resistance : UL 746C  
Flammability Rating : UL 94 V0  
Glow Wire Test (IEC 695-2-1) °C : 960C

**Certificates :**

Certificate FI 40847