

# PCM 150/125 XG

Sample image

**Order symbol :** PCM 150/125 XG

**EAN :** 6418074061430

**Product nr :** 6016335

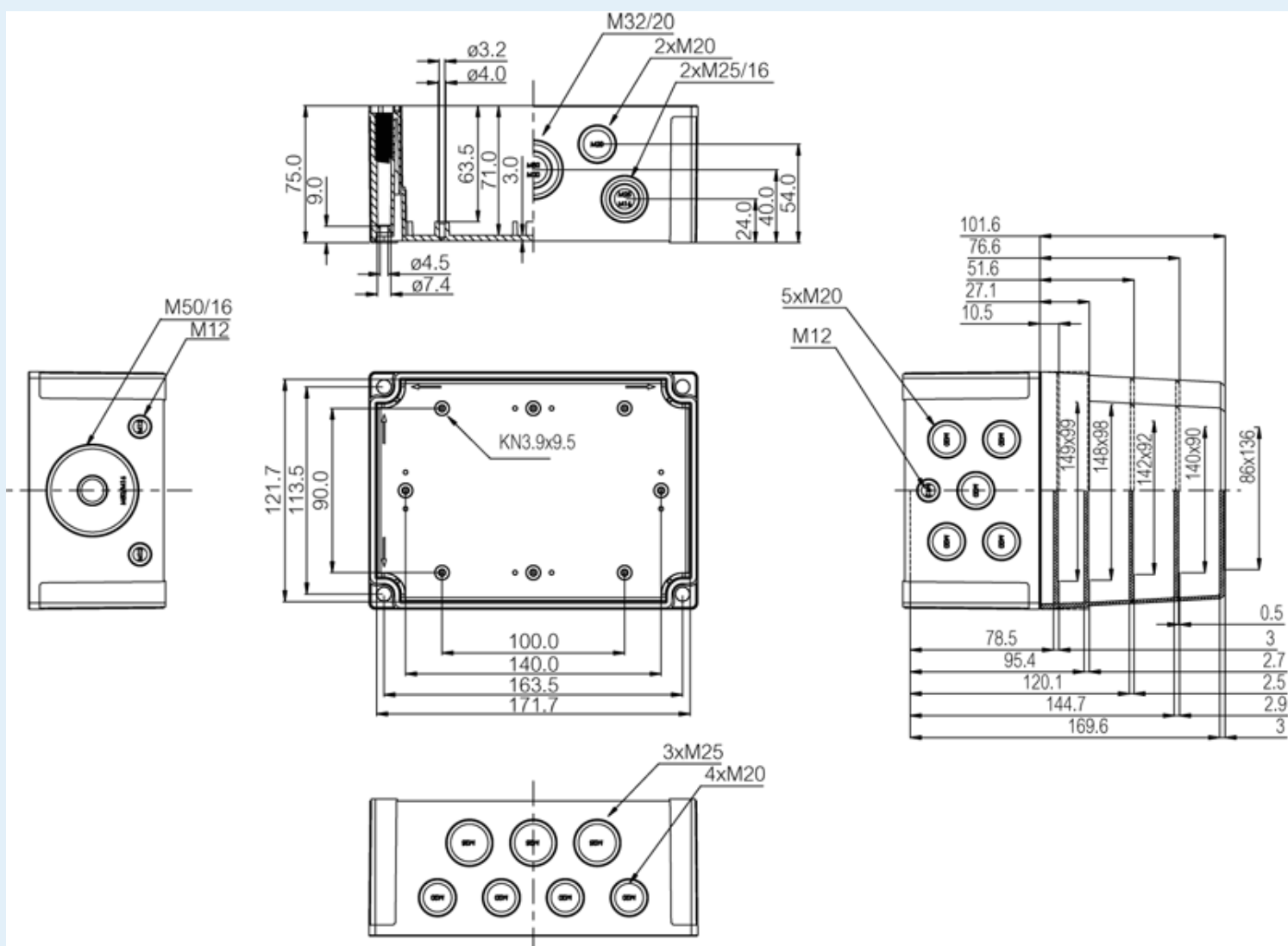
**El. number :**

**Description :** Enclosure, PC, metric knock-outs

- Finland : 3435656
- Denmark : 8212027776
- Sweden : 2535372

**Remarks :** Extra high base, grey cover

**Including :** Base with TPE gasket. screws for mounting plate/DIN-rail and cover with polyamide cover screws.



**Dimensions :**

mm :

**Height**

180

**Width**

130

**Depth**

125

**Accessories :**

MIV 10 DIN-35 Mounting rail, for enclosures:

inch :                      7.09                      5.12                      4.92

**Materials :**

Material :                      Polycarbonate  
Base colour :                      RAL\_7035  
Cover colour :                      RAL 7035 -light grey  
Gasket material :                      Polyurethane

**Temperatures :**

Temperature °C (continuous) :                      -40 ... 80  
Temperature °F (continuous) :                      -40 ... 175

(100 x 35 x 7)

MIV 150      Mounting plate (Galvanized steel), for enclosures:  
(148 x 98 x 1.5)  
MIV 15      DIN-35 Mounting rail, for enclosures:  
(150 x 35 x 7)  
FP 22046      Wall fastening lug (4 pcs)  
(35 x 16 x 10)

**Ratings :**

Ingress protection (EN 60529):                      IP66; IP67;  
Impact Resistance (EN 62262):                      IK08;  
electrical\_insulation :                      Totally insulated  
Halogen free (DIN/VDE 0472, Part 815) :                      Yes  
UV resistance :                      UL 746C  
Flammability Rating :                      UL 94 V0  
Glow Wire Test (IEC 695-2-1) °C :                      960C

**Certificates :**

Certificate FI 40847