

# PCM 150/175 XG

Sample image

**Order symbol :** PCM 150/175 XG

**EAN :** 6418074061454

**Product nr :** 6016337

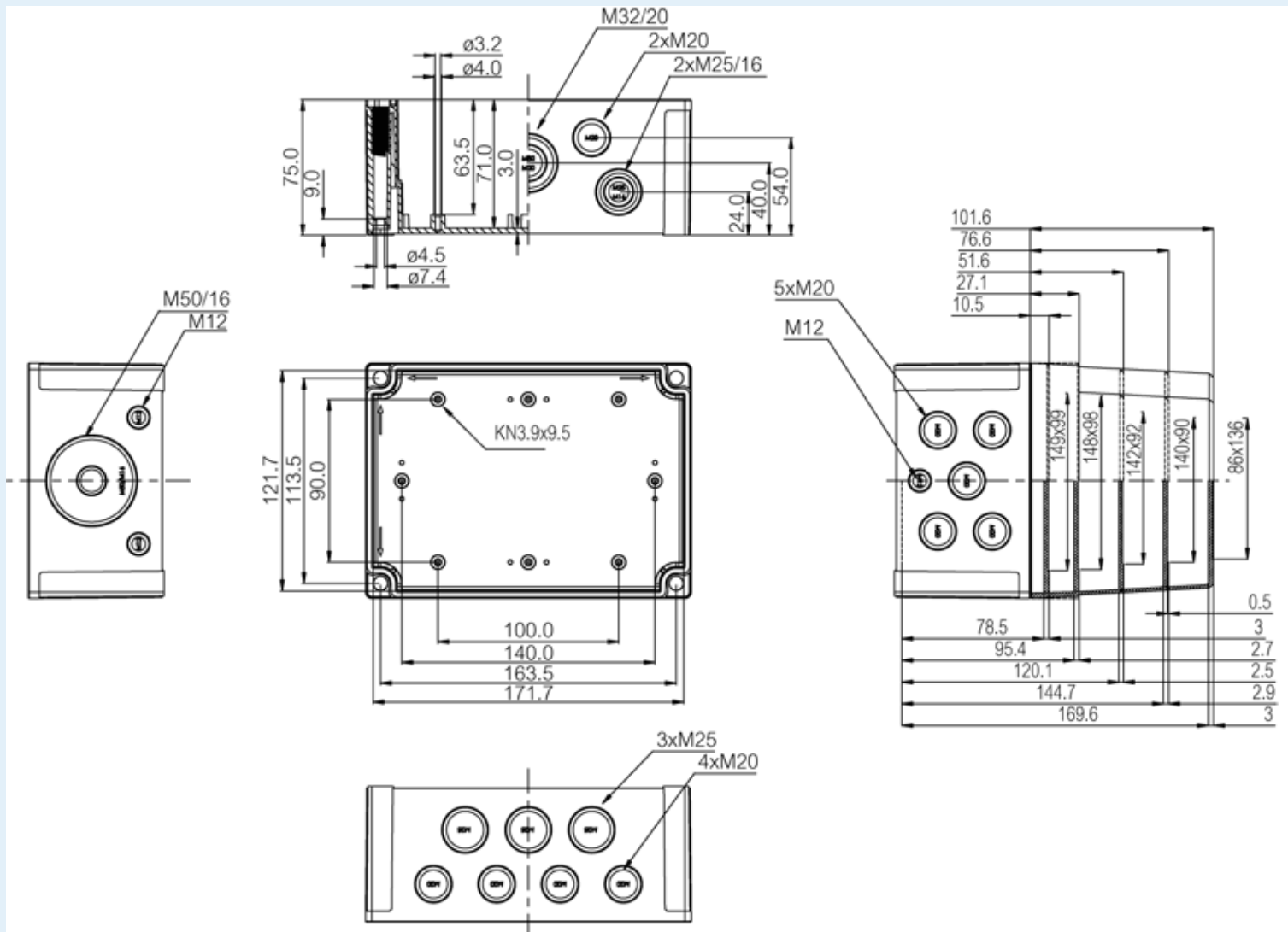
**El. number :**

**Description :** Enclosure, PC, metric knock-outs

- Finland : 3435660
- Denmark : 8212027815
- Sweden : 2535378

**Remarks :** Extra high base, grey cover

**Including :** Base with TPE gasket. screws for mounting plate/DIN-rail and cover with polyamide cover screws.



**Dimensions :**

mm :

**Height**

180

**Width**

130

**Depth**

175

**Accessories :**

MIV 10

DIN-35 Mounting rail, for enclosures:

**Materials :**

Material :	Polycarbonate
Base colour :	RAL_7035
Cover colour :	RAL 7035 -light grey
Gasket material :	Polyurethane

**Temperatures :**

Temperature °C (continuous) :	-40 ... 80
Temperature °F (continuous) :	-40 ... 175

(100 x 35 x 7)

MIV 150	Mounting plate (Galvanized steel), for enclosures: (148 x 98 x 1.5)
MIV 15	DIN-35 Mounting rail, for enclosures: (150 x 35 x 7)
FP 22046	Wall fastening lug (4 pcs) (35 x 16 x 10)

**Ratings :**

Ingress protection (EN 60529):	IP66; IP67;
Impact Resistance (EN 62262):	IK08;
electrical_insulation :	Totally insulated
Halogen free (DIN/VDE 0472, Part 815) :	Yes
UV resistance :	UL 746C
Flammability Rating :	UL 94 V0
Glow Wire Test (IEC 695-2-1) °C :	960C

**Certificates :**

Certificate FI 40847