

# PCM 95/75 T



Sample image

**Order symbol :** PCM 95/75 T

**Product nr :** 6016932

**Description :** Enclosure, PC, metric knock-outs

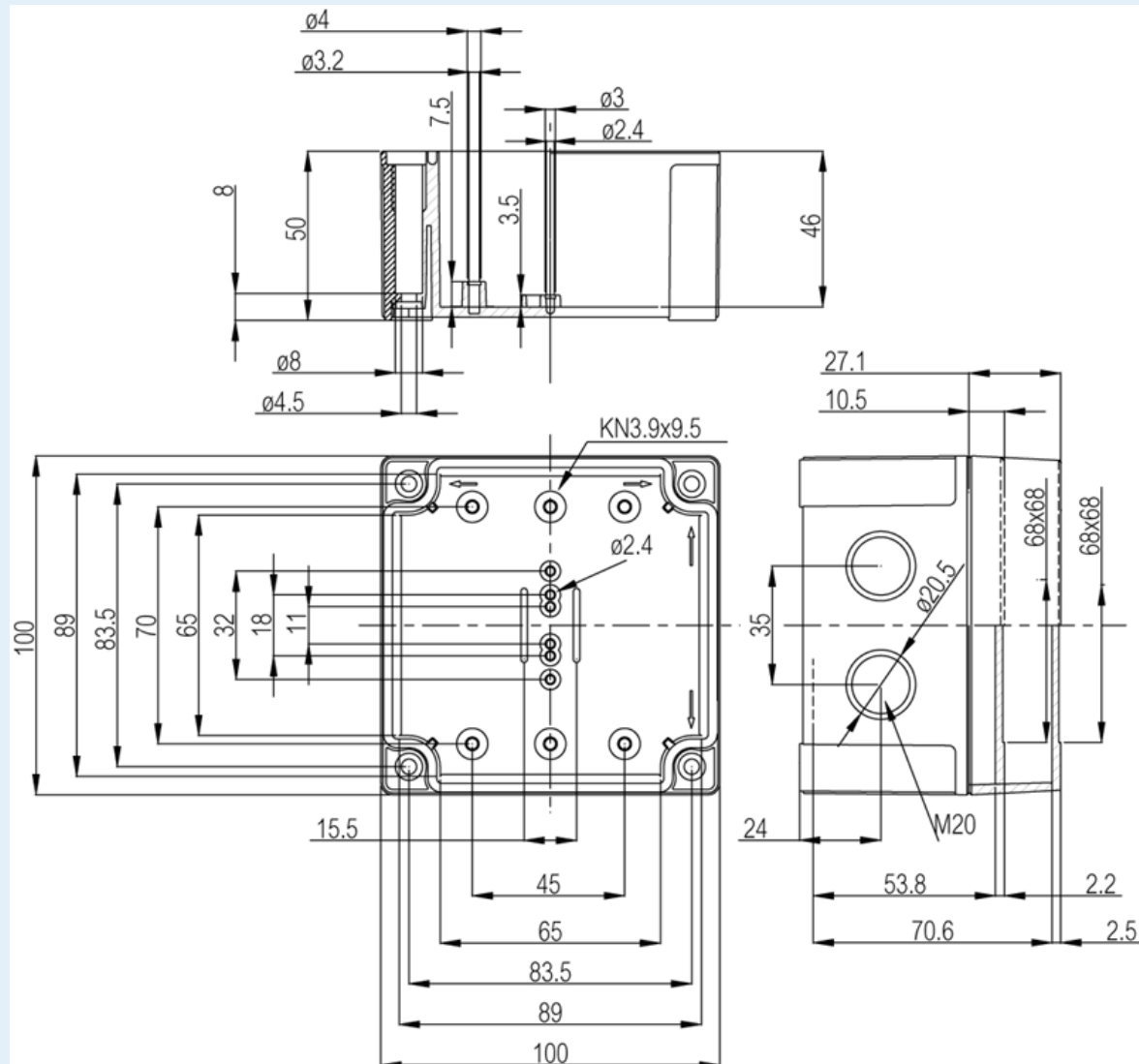
**Remarks :** Smoked transparent cover

**EAN :** 6418074054807

**El. number :**

- Finland : 3421398
- Denmark : 8212027598
- Sweden : 2535401

**Including :** Base with PUR gasket. screws for mounting plate/DIN-rail and cover with polyamide cover screws.



**Dimensions :**

|      | <b>Height</b> | <b>Width</b> | <b>Depth</b> |
|------|---------------|--------------|--------------|
| mm : | 100           | 100          | 75           |

**Materials :**

|                   |                   |
|-------------------|-------------------|
| Material :        | Polycarbonate     |
| Base colour :     | RAL_7035          |
| Cover colour :    | Clear transparent |
| Gasket material : | Polyurethane      |

**Temperatures :**

|                               |             |
|-------------------------------|-------------|
| Temperature °C (continuous) : | -40 ... 80  |
| Temperature °F (continuous) : | -40 ... 175 |

**Accessories :**

|          |   |
|----------|---|
| B-3      | DIN-35 Mounting rail, for enclosures:<br>(80 x 35 x 7)                |
| FP 22046 | Wall fastening lug (4 pcs)<br>(35 x 16 x 10)                          |
| MIV 95   | Mounting plate (Galvanized steel), for enclosures:<br>(66 x 80 x 1.5) |

**Ratings :**

|   |                   |
|---|-------------------|
| Ingress protection (EN 60529):          | IP66; IP67;       |
| Impact Resistance (EN 62262):           | IK08;             |
| electrical_insulation :                 | Totally insulated |
| Halogen free (DIN/VDE 0472, Part 815) : | Yes               |
| UV resistance :                         | UL 746C           |
| Flammability Rating :                   | UL 94 V0          |
| Glow Wire Test (IEC 695-2-1) °C :       | 960C              |

**Certificates :**

Certificate FI 40847