

# PCM 175/125 XT

Sample image

**Order symbol :** PCM 175/125 XT

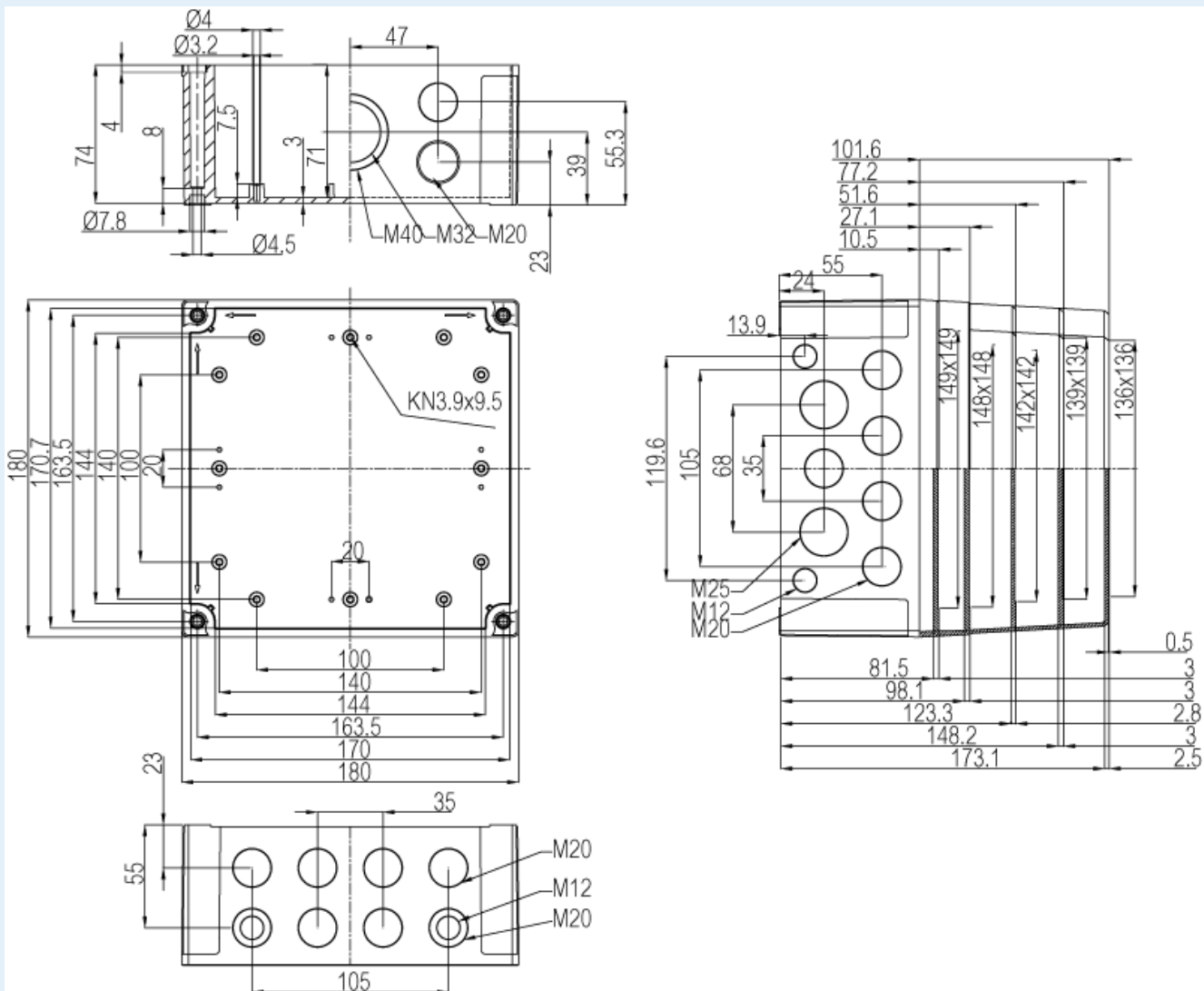
**EAN :** 6418074011862

**Product nr :** 6016941

**Description :** Enclosure, PC, metric knock-outs

**Remarks :** Smoked transparent cover

**Including :** Base with TPE gasket. screws for mounting plate/DIN-rail and cover with polyamide cover screws.



Dimensions :	Height	Width	Depth
mm :	180	180	125

Accessories :
MIV 175 Mounting plate (Galvanized steel), for enclosures:

**Materials :**

Material :	Polycarbonate
Base colour :	RAL_7035
Cover colour :	Clear transparent
Gasket material :	Polyurethane

**Temperatures :**

Temperature °C (continuous) :	-40 ... 80
Temperature °F (continuous) :	-40 ... 175

(148 x 148 x 1.5)

MIV 15	DIN-35 Mounting rail, for enclosures: (150 x 35 x 7)
FP 22046	Wall fastening lug (4 pcs) (35 x 16 x 10)

**Ratings :**

Ingress protection (EN 60529):	IP66; IP67;
Impact Resistance (EN 62262):	IK08;
electrical_insulation :	Totally insulated
Halogen free (DIN/VDE 0472, Part 815) :	Yes
UV resistance :	UL 746C
Flammability Rating :	UL 94 V0
Glow Wire Test (IEC 695-2-1) °C :	960C

**Certificates :**

Certificate FI 40847