

# ABS 175/75 HG



Sample image

**Order symbol :** ABS 175/75 HG

**Product nr :** 6081320

**Description :** Enclosure, ABS

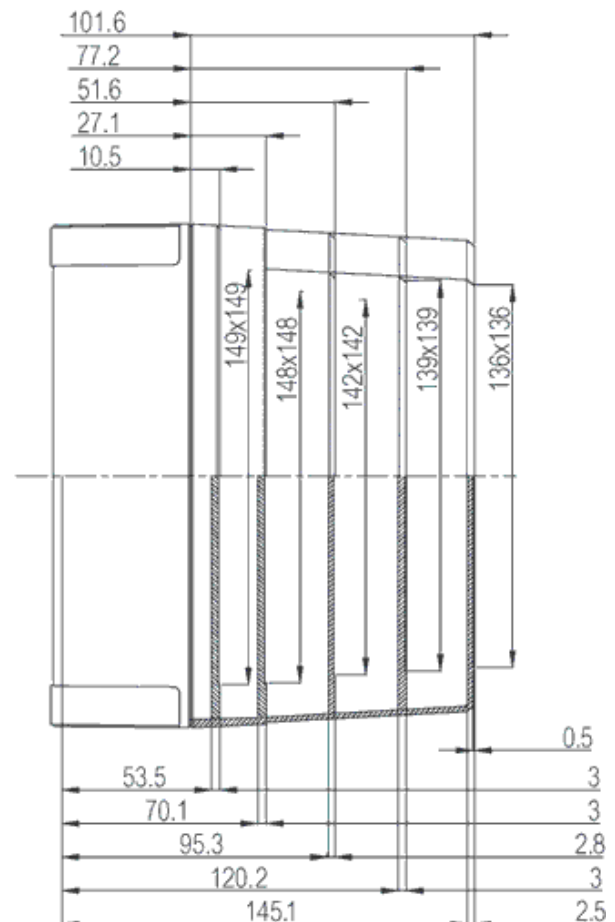
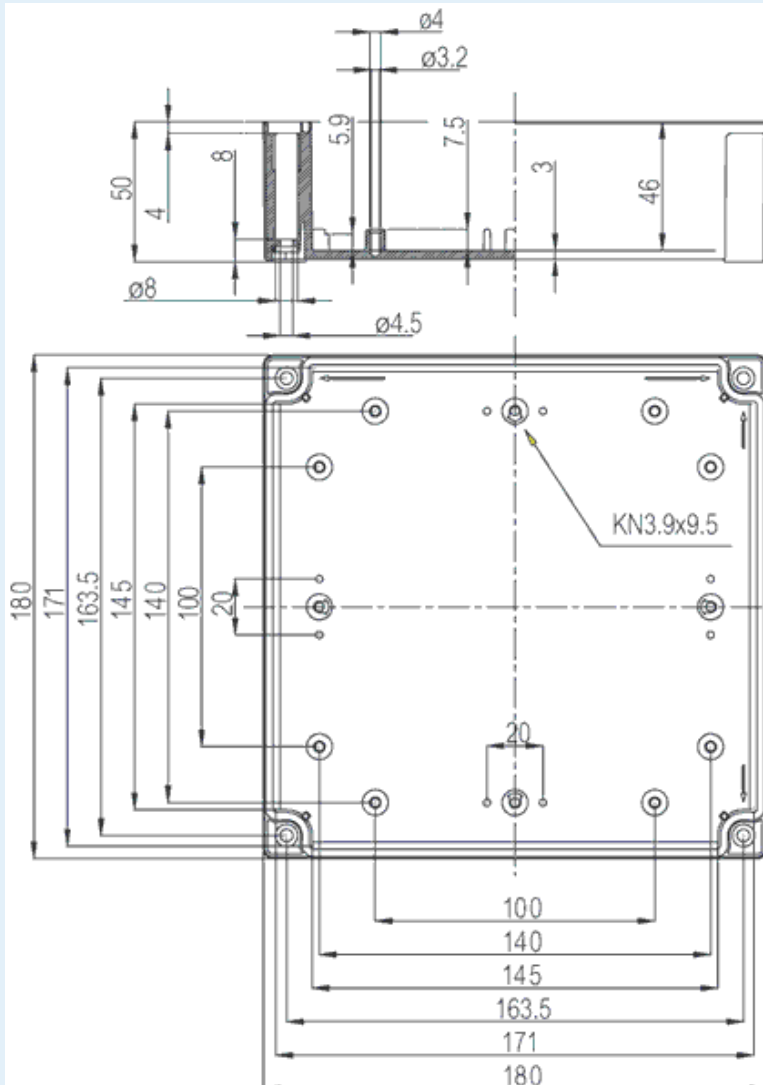
**Remarks :** High base, grey cover

**EAN :** 6418074024459

**El. number :**

- Finland : 3422256
- Denmark : 8212023848
- Sweden : 2535764

**Including :** Base with TPE gasket. screws for mounting plate/DIN-rail and cover with polyamide cover screws.



**Dimensions :**

|        | <b>Height</b> | <b>Width</b> | <b>Depth</b> |
|--------|---------------|--------------|--------------|
| mm :   | 180           | 180          | 75           |
| inch : | 7.09          | 7.09         | 2.95         |

**Materials :**

|                   |                      |
|-------------------|----------------------|
| Material :        | ABS                  |
| Base colour :     | RAL_7035             |
| Cover colour :    | RAL 7035 -light grey |
| Gasket material : | TPE                  |

**Temperatures :**

|                               |             |
|-------------------------------|-------------|
| Temperature °C (continuous) : | -40 ... 60  |
| Temperature °F (continuous) : | -40 ... 140 |

**Accessories :**

|          |   |
|----------|---|
| MIV 175  | Mounting plate (Galvanized steel), for enclosures:<br>(148 x 148 x 1.5) |
| MIV 15   | DIN-35 Mounting rail, for enclosures:<br>(150 x 35 x 7)                 |
| FP 22046 | Wall fastening lug (4 pcs)<br>(35 x 16 x 10)                            |

**Ratings :**

|   |                   |
|---|-------------------|
| Ingress protection (EN 60529):          | IP66; IP67;       |
| Impact Resistance (EN 62262):           | IK07;             |
| electrical_insulation :                 | Totally insulated |
| Halogen free (DIN/VDE 0472, Part 815) : | Yes               |
| UV resistance :                         | -                 |
| Flammability Rating :                   | UL 94 HB          |
| Glow Wire Test (IEC 695-2-1) °C :       | 650C              |

**Certificates :**

Certificate FI 41115