

# ABS 175/75 HT

Sample image

**Order symbol :** ABS 175/75 HT

**EAN :** 6418074024473

**Product nr :** 6081920

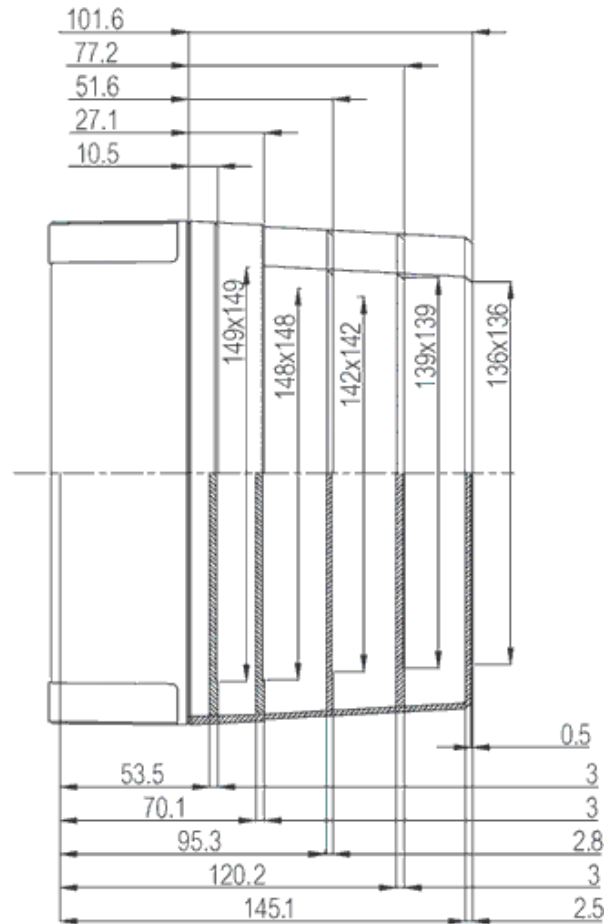
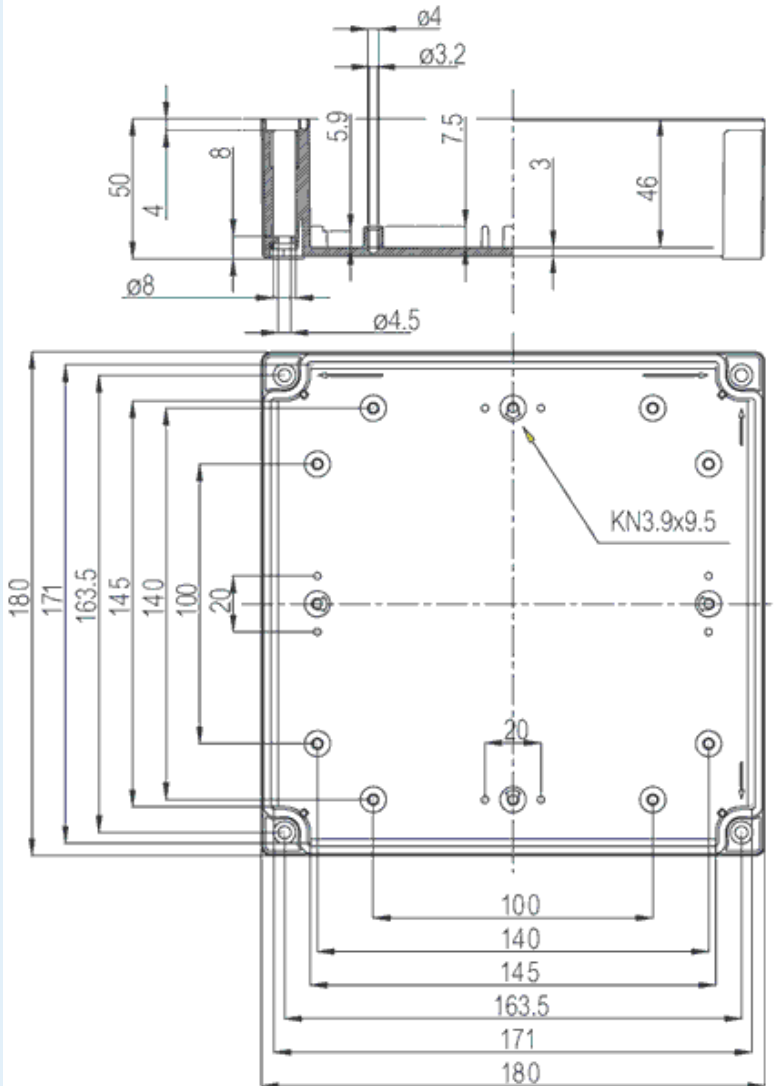
**El. number :**

**Description :** Enclosure, ABS

- Finland : 3422258
- Denmark : 8212023903
- Sweden : 2535864

**Remarks :** High base, smoked transparent cover

**Including :** Base with TPE gasket. screws for mounting plate/DIN-rail and cover with polyamide cover screws.



**Dimensions :**  
mm :                      **Height**                      **Width**                      **Depth**  
   180                      180                      75

**Accessories :**  
MIV 175    Mounting plate (Galvanized steel), for enclosures:

inch : 7.09 7.09 2.95

**Materials :**

Material : ABS  
Base colour : RAL\_7035  
Cover colour : Clear transparent  
Gasket material : Polyurethane

**Temperatures :**

Temperature °C (continuous) : -40 ... 60  
Temperature °F (continuous) : -40 ... 140

(148 x 148 x 1.5)

MIV 15 DIN-35 Mounting rail, for enclosures:  
(150 x 35 x 7)

FP 22046 Wall fastening lug (4 pcs)  
(35 x 16 x 10)

**Ratings :**

Ingress protection (EN 60529): IP66; IP67;  
Impact Resistance (EN 62262): IK07;  
electrical\_insulation : Totally insulated  
Halogen free (DIN/VDE 0472, Part 815) : Yes  
UV resistance : -  
Flammability Rating : UL 94 HB  
Glow Wire Test (IEC 695-2-1) °C : 650C

**Certificates :**

Certificate FI 41115