

PCT 050705



Sample image

Order symbol : PCT 050705

Product nr : 7022521

Description : Enclosure, PC

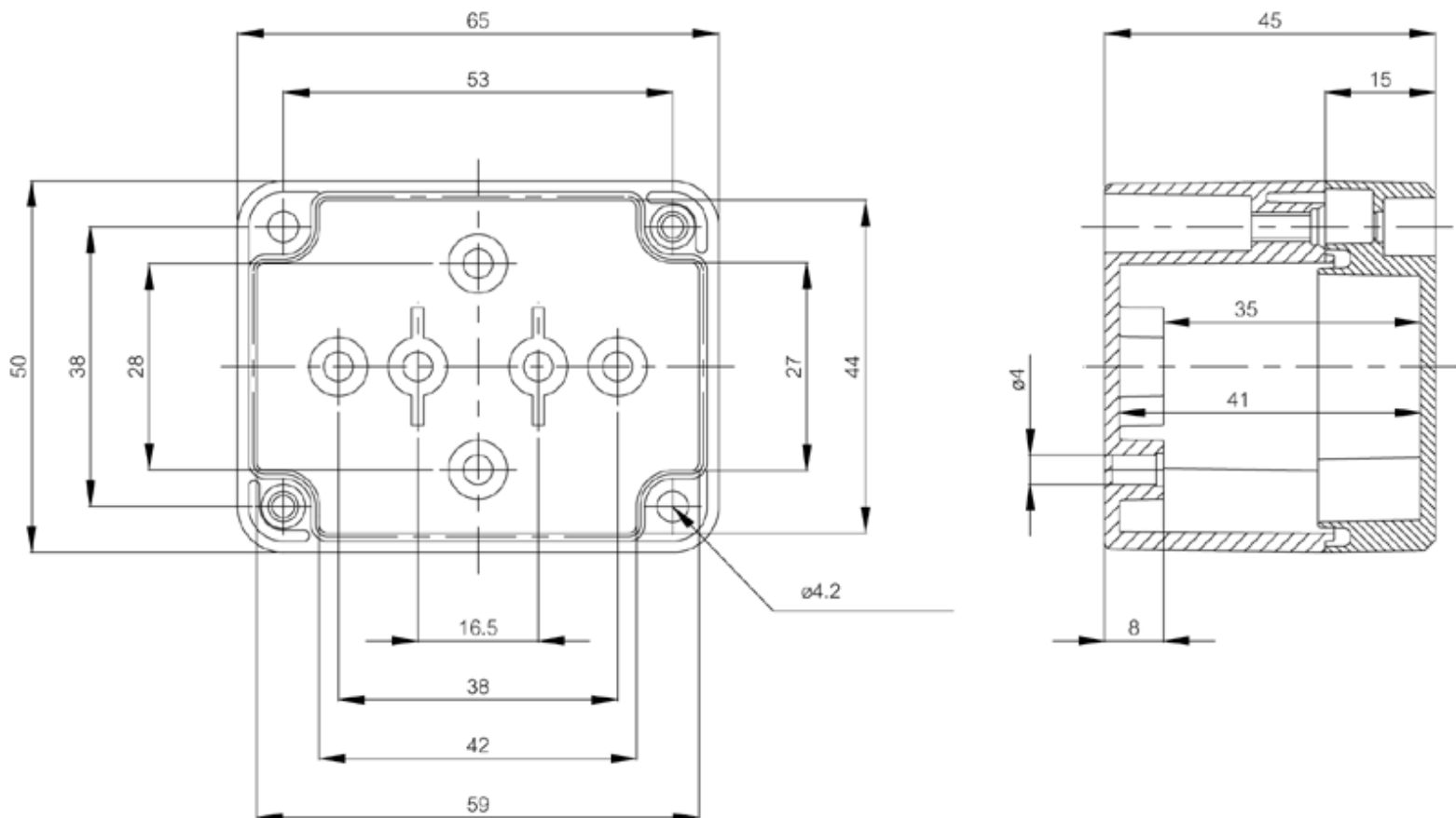
Remarks : Clear transparent cover

EAN : 6418074003720

El. number :

- Finland : 3423524
- Denmark : 8212002539
- Sweden : 2508217

Including : Base with screws for mounting plate/DIN-rail. cover with PUR gasket and ferritic stainless steel cover screws. Q-versions: Base with screws for mounting plate/DIN-rail. cover with PUR gasket and quick-locking cover screws.



Dimensions :

| | Height | Width | Depth |
|--------|--------|-------|-------|
| mm : | 50 | 65 | 45 |
| inch : | 1.97 | 2.56 | 1.77 |

Accessories :

| | |
|---------|--|
| TM 0507 | Mounting plate, for enclosures: (26 x 57 x 1.5) |
|---------|--|

Materials :

| | |
|-------------------|-------------------|
| Material : | Polycarbonate |
| Base colour : | RAL_7035 |
| Cover colour : | Clear transparent |
| Gasket material : | Polyurethane |

| | |
|----------|--|
| TRM 0507 | DIN-15 Mounting rail, for enclosures: (48 x 15 x 5) |
| TM 0505 | Mounting plate, for enclosures: (26 x 48 x 1.5) |
| TH A | Grey plastic hinges (2 pcs) (30 x 20 x 12) |

Temperatures :

| | |
|-------------------------------|-------------|
| Temperature °C (continuous) : | -40 ... 80 |
| Temperature °F (continuous) : | -40 ... 175 |

Ratings :

| | |
|---|-------------------|
| Ingress protection (EN 60529): | IP66; IP67; |
| Impact Resistance (EN 62262): | IK07; IK08; |
| electrical_insulation : | Totally insulated |
| Halogen free (DIN/VDE 0472, Part 815) : | Yes |
| UV resistance : | UL 746C |
| Flammability Rating : | UL 94 V0 |
| Glow Wire Test (IEC 695-2-1) °C : | 960C |

Certificates :

SGSFimko_EURONORD