

# PCTQ3 162409



Sample image

**Order symbol :** PCTQ3 162409

**Product nr :** 7025810

**Description :** Enclosure, PC

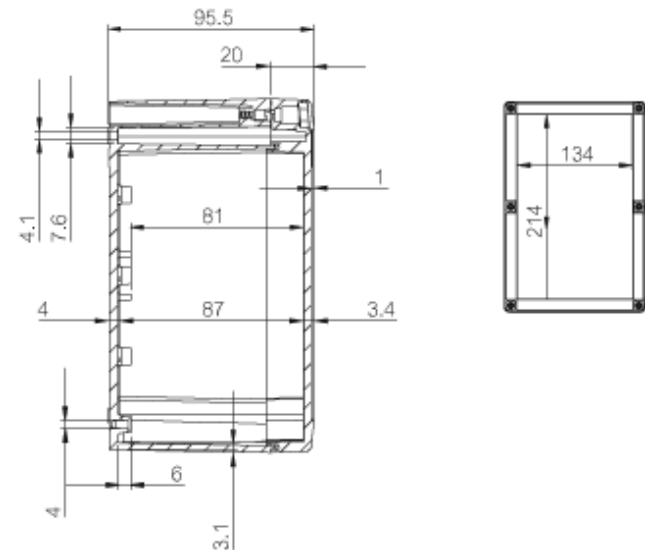
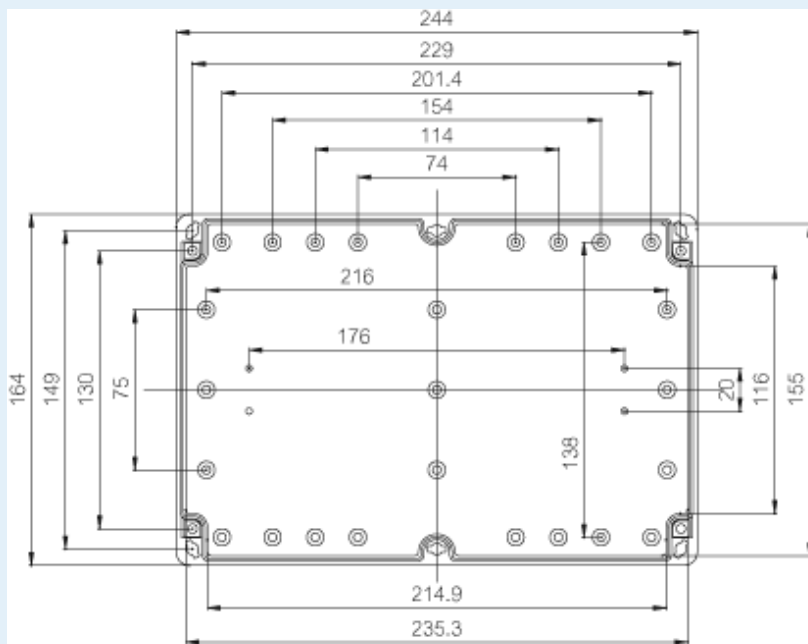
**Remarks :** Smoked transparent cover (quick-locking)

**EAN :** 6418074099266

**El. number :**

- Finland : 3424241
- Denmark : 8212052000
- Sweden : 2508206

**Including :** Base with screws for mounting plate/DIN-rail. cover with PUR gasket and quick-locking cover screws.



Dimensions :	Height	Width	Depth
mm :	160	240	90
inch :	6.3	9.45	3.54

**Materials :**

Material :	Polycarbonate
Base colour :	RAL_7035

**Accessories :**

TRH 24	DIN-35 Mounting rail, for enclosures: (226 x 35 x 7)
TM 1624	Mounting plate, for enclosures: (212 x 151 x 1.5)
TH A	Grey plastic hinges (2 pcs) (30 x 20 x 12)

**Ratings :**

Cover colour :	Clear transparent
Gasket material :	Polyurethane

**Temperatures :**

Temperature °C (continuous) :	-40 ... 80
Temperature °F (continuous) :	-40 ... 175

Ingress protection (EN 60529):	IP66; IP67;
Impact Resistance (EN 62262):	IK07; IK08;
electrical_insulation :	Totally insulated
Halogen free (DIN/VDE 0472, Part 815) :	Yes
UV resistance :	UL 746C
Flammability Rating :	UL 94 V0
Glow Wire Test (IEC 695-2-1) °C :	960C

**Certificates :**

SGSFimko\_EURONORD