

# UL PCT 081610

Sample image

**Order symbol :** UL PCT 081610

**Product nr :** 7032641

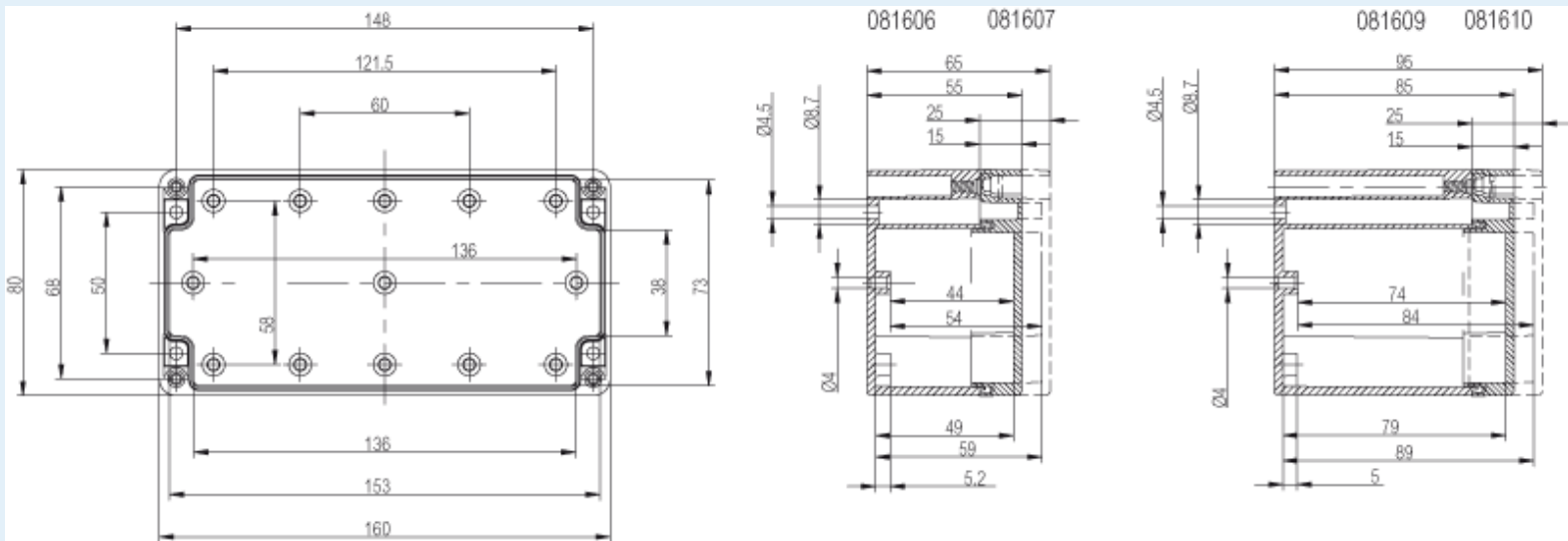
**Description :** UL Enclosure, PC

**Remarks :** Transparent cover

**EAN :** 6418074054449

**El. number :**

- Denmark : 8212032208



Dimensions :	Height	Width	Depth
mm :	80	160	95
inch :	3.15	6.3	3.74

**Materials :**

**Temperatures :**

Temperature °F (continuous) : -40 ... 175

**Ratings :**

Ingress protection (EN 60529):	IP66; IP67;
Impact Resistance (EN 62262):	IK07; IK08;
electrical_insulation :	Totally insulated
Halogen free (DIN/VDE 0472, Part 815) :	Yes
UV resistance :	UL 746C
Flammability Rating :	UL 94 V0
Glow Wire Test (IEC 695-2-1) °C :	960C
UL Type	Type 1, 4, 4X, 12 or 13

**Certificates :**

Euronord\_CAB\_ALU\_CertificateofCompliance