

P 081106



Sample image

Order symbol : P 081106

Product nr : 7094150

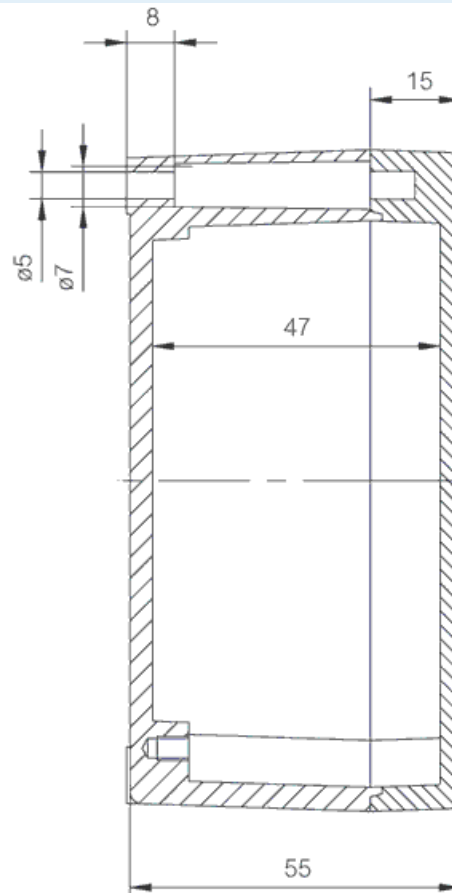
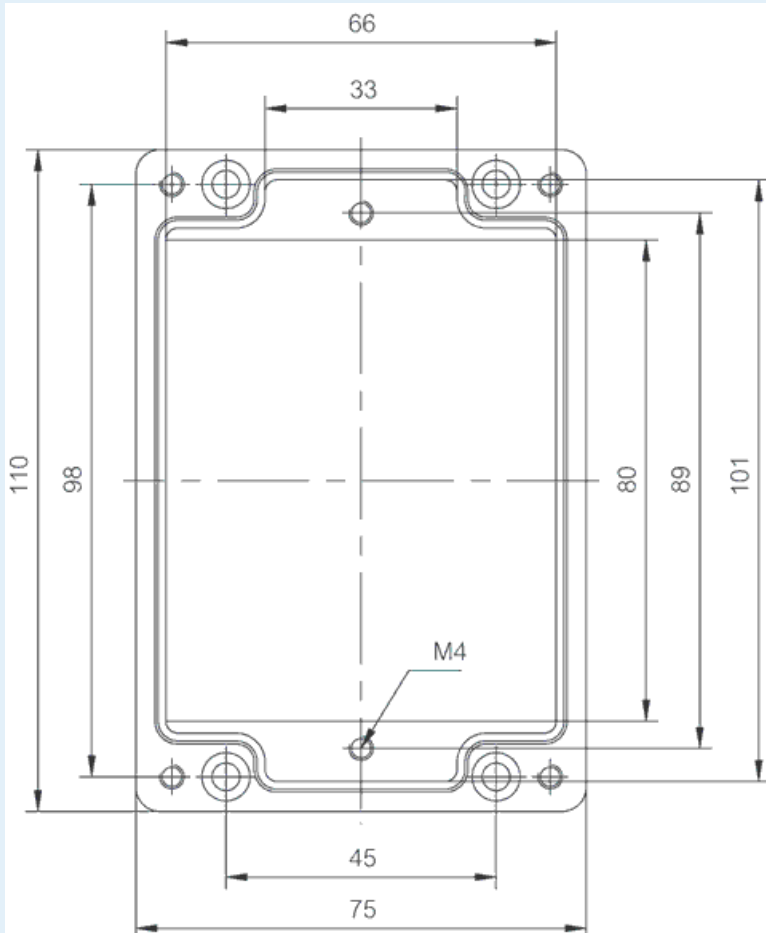
Description : Enclosure, polyester

Remarks : Grey cover

EAN : 6418074004345

El. number :

- Finland : 3423656
- Denmark : 8212005617
- Sweden : 2536207



Dimensions :

	Height	Width	Depth
mm :	75	110	55
inch :	2.95	4.33	2.17

Materials :

Material :	Polyester
Base colour :	RAL_7036
Cover colour :	RAL 7036
Gasket material :	Polyurethane

Temperatures :

Temperature °C (continuous) :	-20 ... 95
Temperature °F (continuous) :	-4...203°F

Accessories :

PM 0811	Mounting plate, for enclosures: (64 x 99 x 1.5)
PRM 0811	DIN-15 Mounting rail, for enclosures: (66 x 15 x 5)

Ratings :

Ingress protection (EN 60529):	IP66;
Impact Resistance (EN 62262):	IK08;
electrical_insulation :	Totally insulated
Halogen free (DIN/VDE 0472, Part 815) :	Yes
UV resistance :	UL 746C
Flammability Rating :	UL 94 V0
Glow Wire Test (IEC 695-2-1) °C :	960C