

PC 30/25-3

7525019_PC_30_25_3
360_ANIMA_SMALL

Sample image

Order symbol : PC 30/25-3

Product nr : 7525019

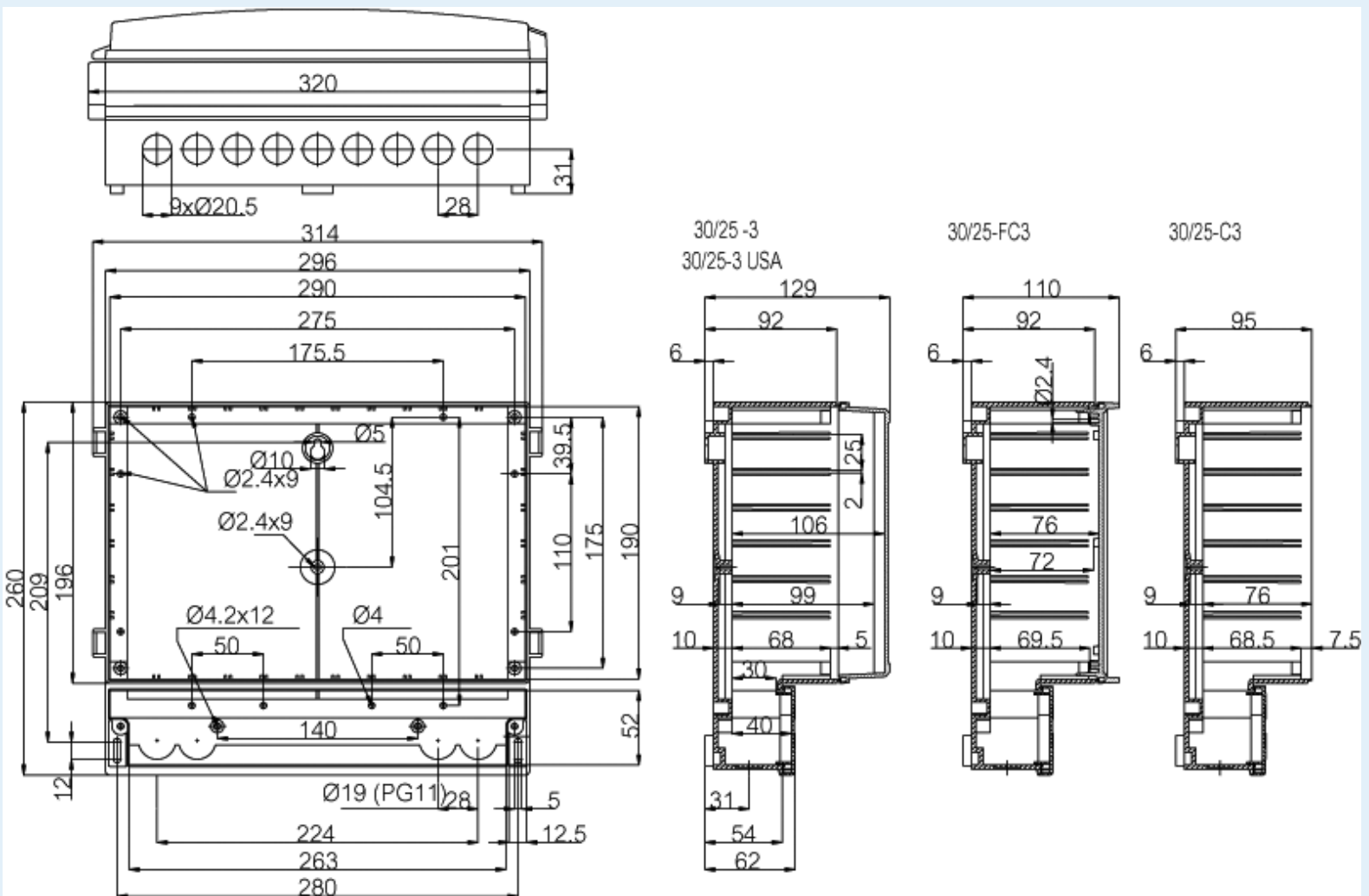
Description : Enclosure, PC

Remarks : Smoked transparent hinged cover

EAN : 6418074056740

El. number :

- Finland : 3438233
- Denmark : 8212016677
- Sweden : 2537308



Dimensions :	Height	Width	Depth
mm :	320	260	129
inch :	12.6	10.24	5.08

Accessories :

- FP 30/25 Front plate (aluminium), for enclosures: (290 x 190 x 1)
- MP 30/25 Mounting plate, for enclosures: (282 x 215 x 1)
- FC PC 30/25 Frame of PC front plate, for enclosures: (296 x 196 x 30)

Materials :

Material :	Polycarbonate
Base colour :	RAL_7035
Cover colour :	Smoked grey
Gasket material :	Polyurethane

Temperatures :

Temperature °C (continuous) :	-40 ... 80
Temperature °F (continuous) :	-40 ... 175

Ratings :

Ingress protection (EN 60529):	IP65;
Impact Resistance (EN 62262):	IK07;
electrical_insulation :	Totally insulated
Halogen free (DIN/VDE 0472, Part 815) :	Yes
UV resistance :	UL 746C
Flammability Rating :	UL 94 V0
Glow Wire Test (IEC 695-2-1) °C :	960C

Certificates :

SGSFIMKO_CARDpc