

# PC 30/25-3TT



Sample image

**Order symbol :** PC 30/25-3TT

**Product nr :** 7526019

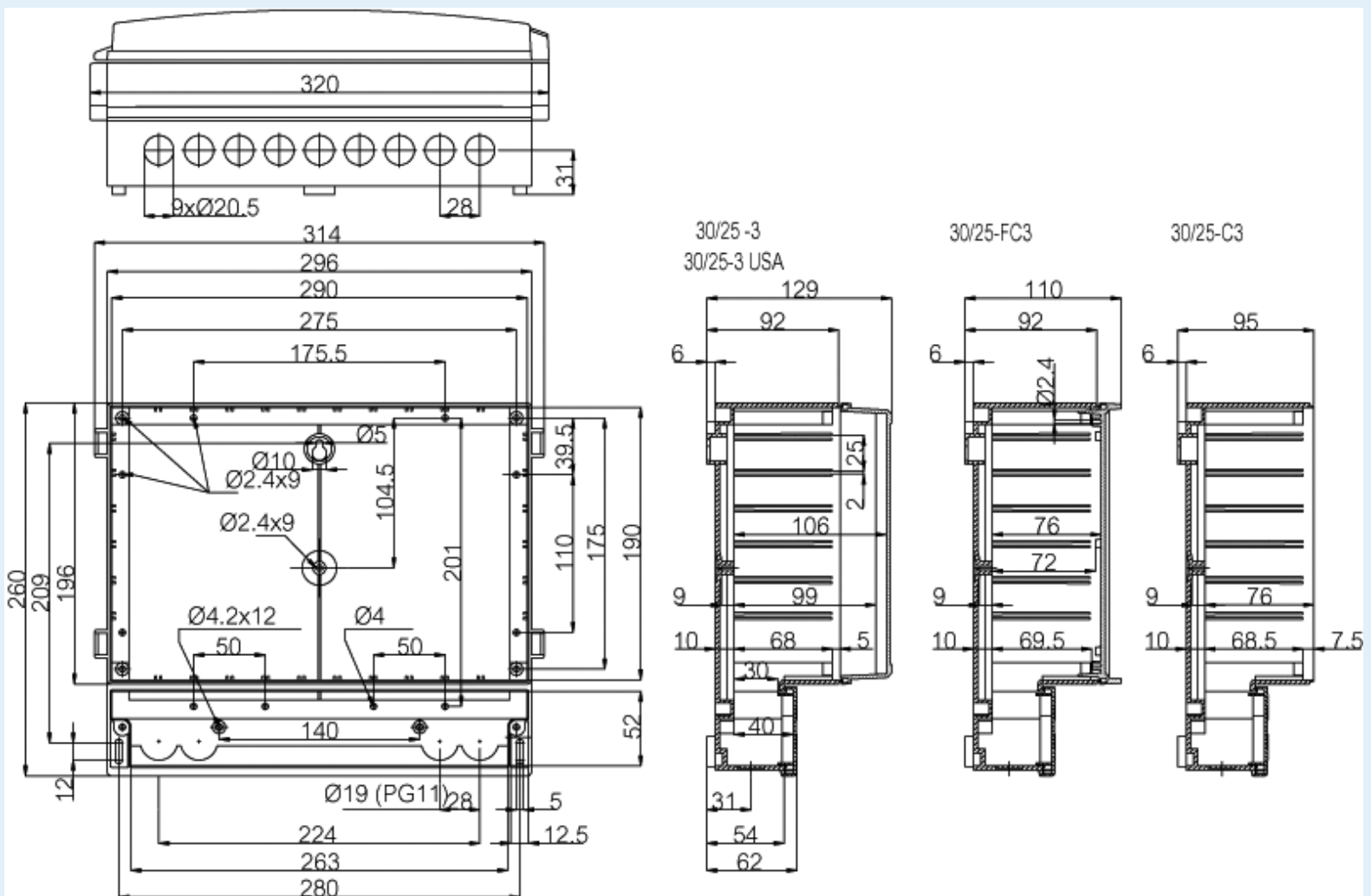
**Description :** Enclosure, PC

**Remarks :** Clear transparent hinged cover

**EAN :** 6418074062055

**El. number :**

- Denmark : 8212016949



**Dimensions :** Height Width Depth

**Accessories :**

mm :	320	260	129
inch :	12.6	10.24	5.08

**Materials :**

Material :	Polycarbonate
Gasket material :	Polyurethane

**Temperatures :**

Temperature °C (continuous) :	-40 ... 80
Temperature °F (continuous) :	-40 ... 175

FP 30/25	Front plate (aluminium), for enclosures: (290 x 190 x 1)
MP 30/25	Mounting plate, for enclosures: (282 x 215 x 1)
FC PC 30/25	Frame of PC front plate, for enclosures: (296 x 196 x 30)

**Ratings :**

Ingress protection (EN 60529):	IP65;
Impact Resistance (EN 62262):	IK07;
electrical_insulation :	Totally insulated
Halogen free (DIN/VDE 0472, Part 815) :	Yes
UV resistance :	UL 746C
Flammability Rating :	UL 94 V0
Glow Wire Test (IEC 695-2-1) °C :	960C

**Certificates :**

SGSFIMKO\_CARDpc