

# ALN 082506



Sample image

**Order symbol :** ALN 082506

**Product nr :** 7811190

UL Name : ALN UL 082506

**Description :** Enclosure, aluminium

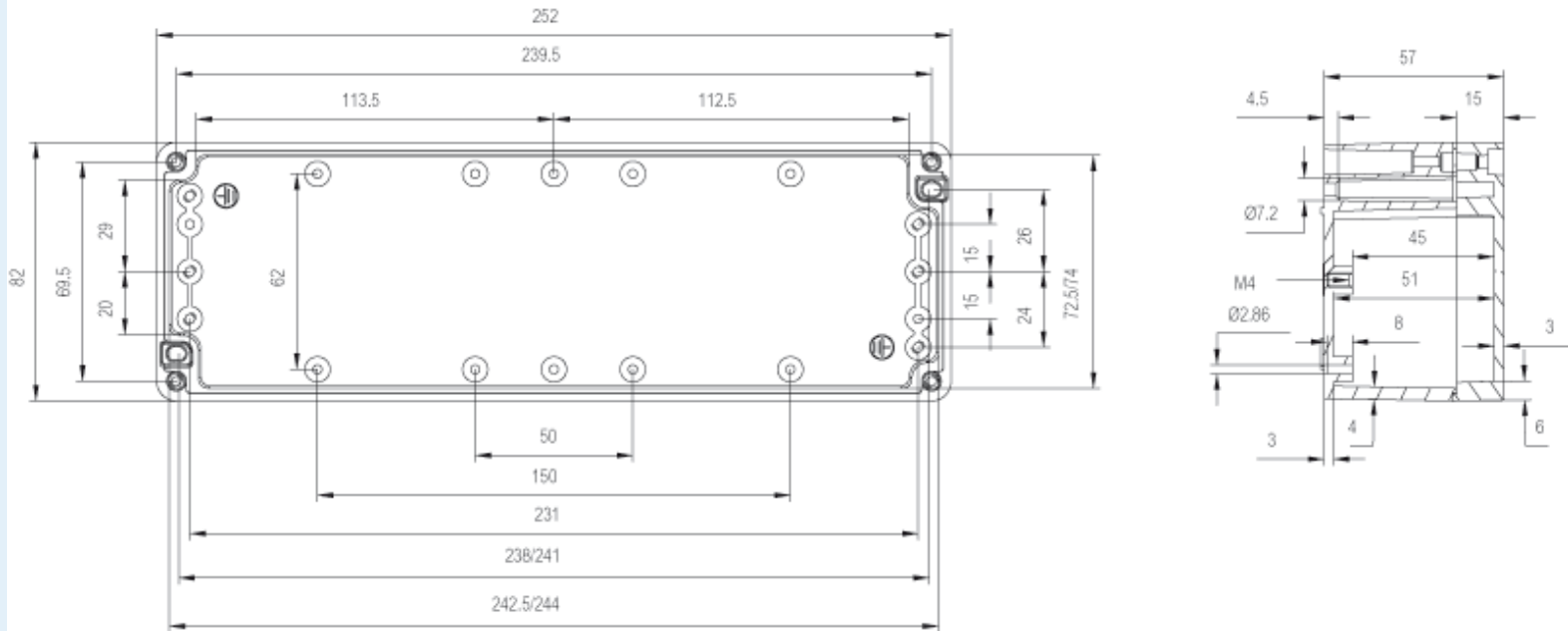
**EAN :** 6418074016096

**El. number :**

- Finland : 3420047
- Denmark : 8212004676
- Sweden : 2500911

**Including :** Base with screws for mounting plate/DIN-rail. cover with PUR gasket and stainless steel cover screws.

ALU 252x81x57



Dimensions :	Height	Width	Depth
mm :	81	252	57
inch :	3.19	9.92	2.24

**Materials :**

Material :	Aluminum
Base colour :	RAL_7001

**Accessories :**

ARH 26	DIN-35 Mounting rail, for enclosures: (240 x 35 x 7)
AM 0825	Mounting plate, for enclosures: (69 x 240 x 1.5)
MR 75003	Selftapping taptite screw M3, for enclosures:
MRS 28540	Wall fastening lug (2 pcs), for enclosures: (11 x 42 x 1)
ARM 0825	DIN-15 Mounting rail, for enclosures: (240 x 15 x 5)

Cover colour :	RAL 7001
Gasket material :	Polyurethane

**Temperatures :**

Temperature °C (continuous) :	-50 ... 80
Temperature °F (continuous) :	-60 ... 175

**Ratings :**

Ingress protection (EN 60529):	IP66; IP67; IP68;
Impact Resistance (EN 62262):	IK08;
electrical_insulation :	Not insulated
Halogen free (DIN/VDE 0472, Part 815) :	Yes
UV resistance :	UL 746C
UL Type	NEMA__1_4_4X_6_12_13

**Certificates :**

SGSFIMKO\_ALU