

ALN 163609



Sample image

Order symbol : ALN 163609

Product nr : 7811310

UL Name : ALN UL 163609

Description : Enclosure, aluminium

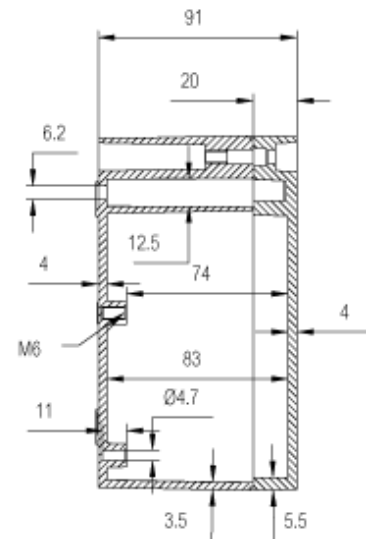
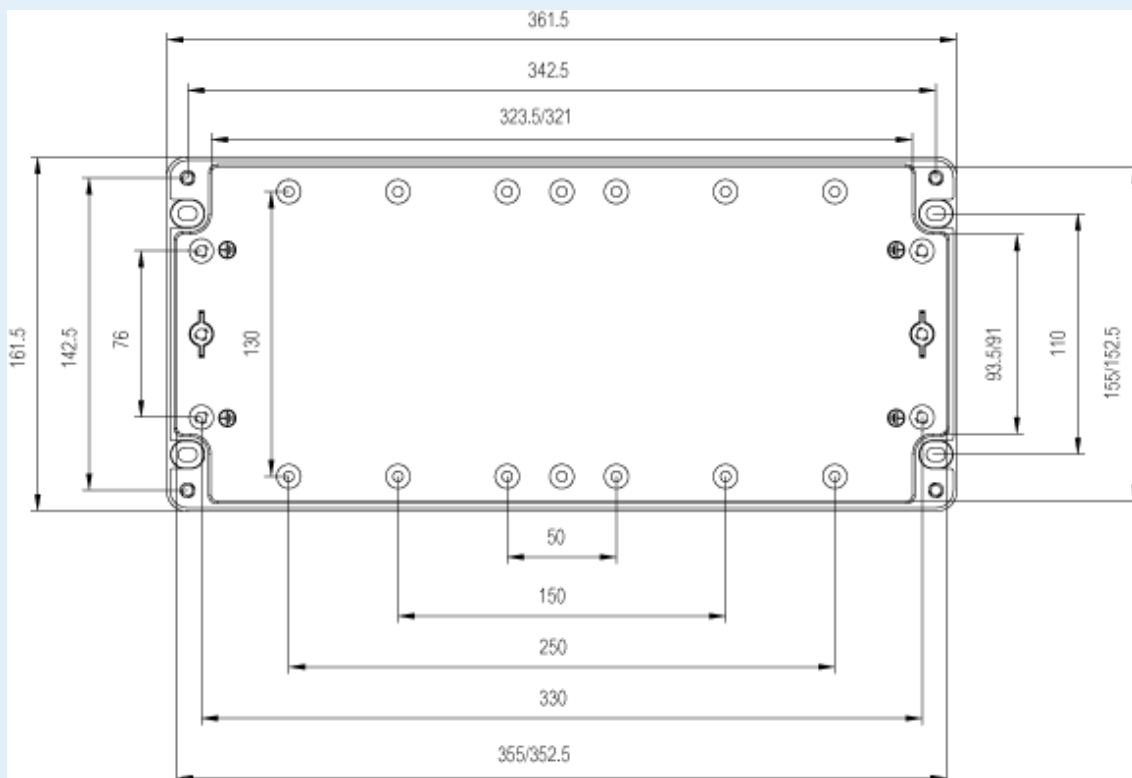
Remarks : Aluminium

EAN : 6418074016140

El. number :

- Finland : 3420053
- Denmark : 8212045732
- Sweden : 2500920

Including : Base with screws for mounting plate/DIN-rail. cover with PUR gasket and stainless steel cover screws.



Dimensions :	Height	Width	Depth
mm :	160	360	90
inch :	6.3	14.17	3.54

Materials :

Accessories :

AM 1636	Mounting plate, for enclosures: (146 x 346 x 1.5)
MRS 28541	Wall fastening lug (2 pcs), for enclosures: (15 x 50 x 1)
ARH 1636	DIN-35 Mounting rail, for enclosures: (340 x 35 x 7)

Material :	Aluminum
Base colour :	RAL_7001
Cover colour :	RAL 7001
Gasket material :	Polyurethane

Temperatures :

Temperature °C (continuous) :	-50 ... 80
Temperature °F (continuous) :	-60 ... 175

Ratings :

Ingress protection (EN 60529):	IP66; IP67; IP68;
Impact Resistance (EN 62262):	IK08;
electrical_insulation :	Not insulated
Halogen free (DIN/VDE 0472, Part 815) :	Yes
UV resistance :	UL 746C
UL Type	NEMA__1_4_4X_6_12_13

Certificates :

SGSFIMKO_ALU