

CAB P 1008030



Sample image

Order symbol : CAB P 1008030

Product nr : 8104309

Description : Polyester cabinet

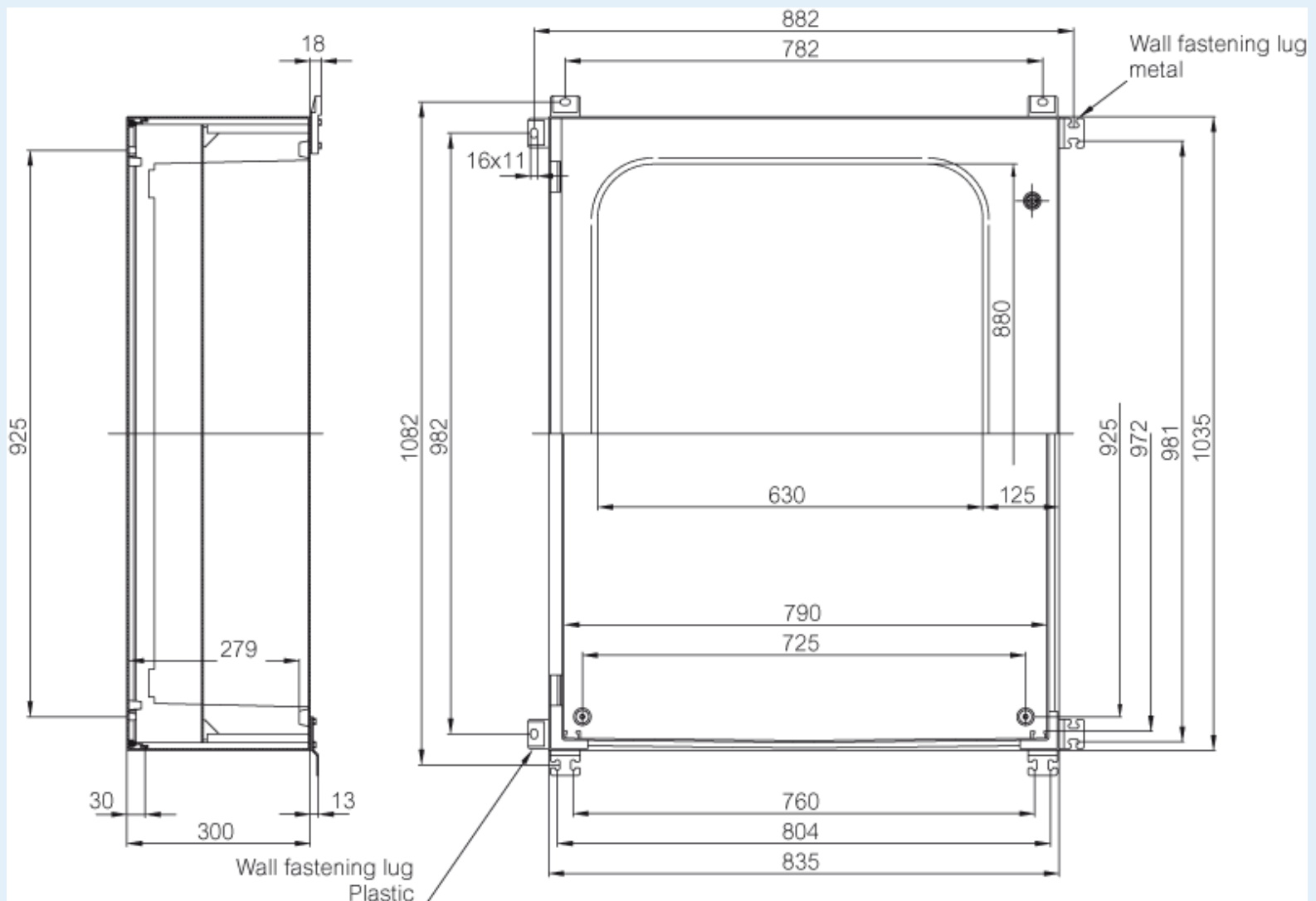
Remarks : Grey door

EAN : 6418074050069

El. number :

- Finland : 3424145
- Denmark : 8212018060
- Sweden : 2539829

Including : Cabinet base, door with PUR gasket, 3mm double bit lock(s) with transport and plastic key, screws for mounting plate/DIN-rail and wall fastening lugs with screws. Wall mounting screws not supplied.



Dimensions :

	Height	Width	Depth
mm :	1035	835	300
inch :	40.75	32.87	11.81

Materials :

Material :	Glass Fiber Reinforced Polyester
Base colour :	RAL_7035
Cover colour :	RAL 7035 -light grey
Gasket material :	Polyurethane

Temperatures :

Temperature °C (continuous) :	-40 ... 80
Temperature °F (continuous) :	-40 ... 175

Accessories :

MB CAB	Swing door kit (187 x 145 x 29)
FP 10080-D	Swing door/Front plate, for enclosures: (1000 x 800 x 1)
MP 10080	Mounting plate, for enclosures: (1000 x 800 x 3)

Ratings :

Ingress protection (EN 60529):	IP65;
Impact Resistance (EN 62262):	IK08;
electrical_insulation :	Totally insulated
UV resistance :	UL 746C
Flammability Rating :	UL 94 HB
Glow Wire Test (IEC 695-2-1) °C :	960C