

# CAB PC 251511 T

Sample image

**Order symbol :** CAB PC 251511 T

**EAN :** 6418074048974

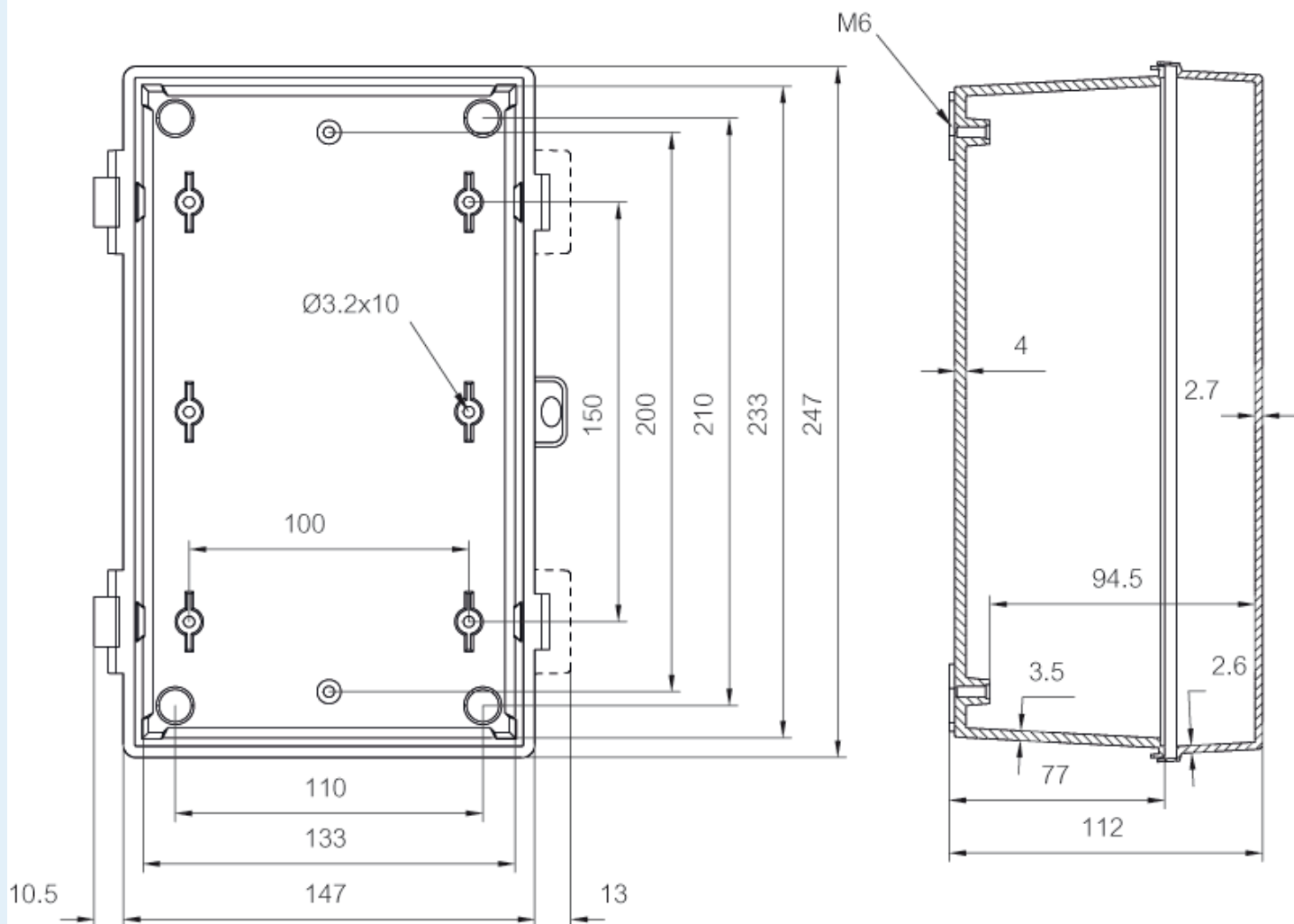
**Product nr :** 8113025

**Description :** Cabinet, PC, Smoked transparent door

**Remarks :** Latches on the long side

**Including :** Cabinet base. door with PUR gasket. latches. screws for mounting plate/ DIN-rail and corner plugs.

CAB 250x150x110



Dimensions :	Height	Width	Depth
mm :	250	150	110

Accessories :	
EKIV 2515 PL	Mounting plate, plastic, for enclosures:

inch : 9.84 5.91 4.33

**Materials :**

Material : Polycarbonate  
Base colour : RAL\_7035  
Cover colour : Clear transparent  
Gasket material : Polyurethane

**Temperatures :**

Temperature °C (continuous) : -40 ... 80  
Temperature °F (continuous) : -40 ... 175

(208 x 125 x 2)

EKIV 2515

Mounting plate, for enclosures:  
(208 x 125 x 1)

**Ratings :**

Ingress protection (EN 60529): IP65;  
Impact Resistance (EN 62262): IK08;  
electrical\_insulation : Totally insulated  
Halogen free (DIN/VDE 0472, Part 815) : Yes  
UV resistance : UL 746C  
Flammability Rating : UL 94 V0  
Glow Wire Test (IEC 695-2-1) °C : 960C

**Certificates :**

Certificate FI 40854