

# CAB PC 504020 T3B



Sample image

**Order symbol :** CAB PC 504020 T3B

**Product nr :** 8113062

**Description :** Cabinet, PC, Smoked transparent door

**Remarks :** Locks on the long side

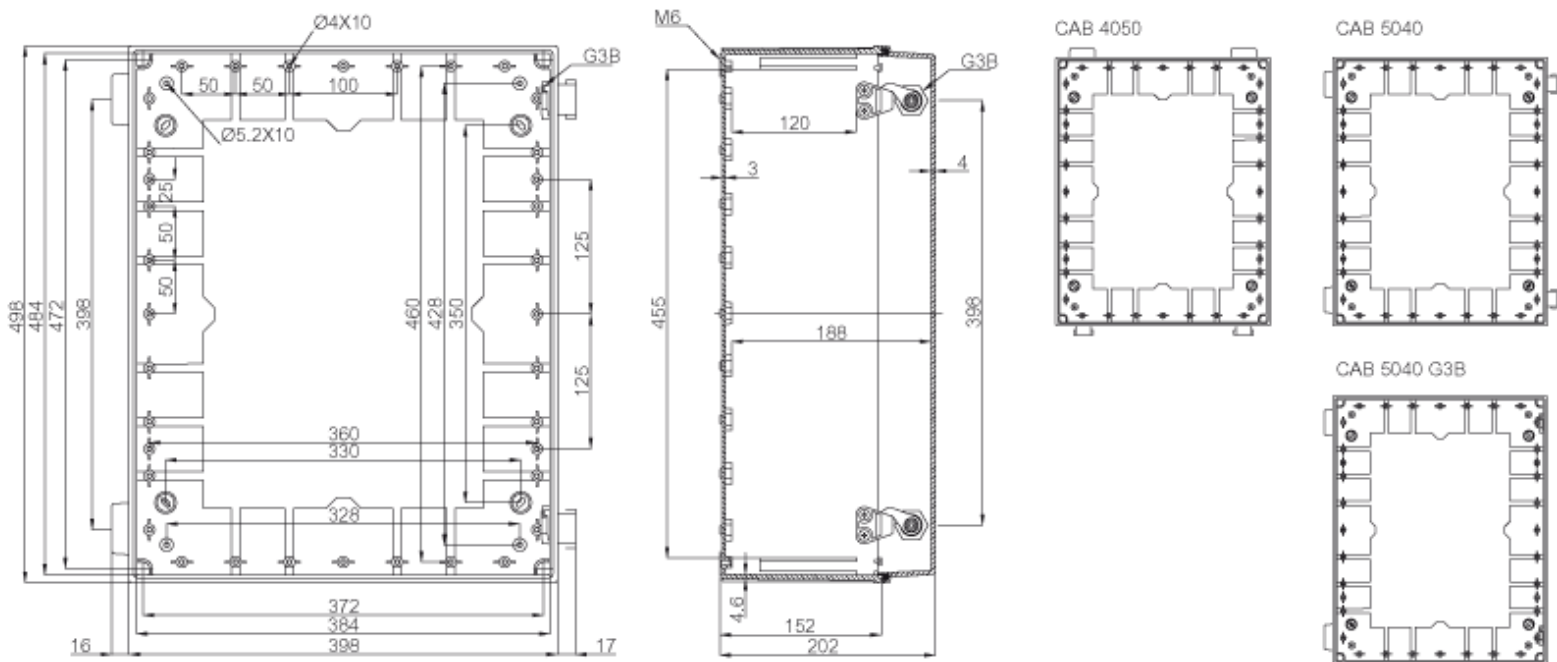
**EAN :** 6418074020376

**El. number :**

- Finland : 3424174
- Denmark : 8212019276
- Sweden : 2539955

**Including :** Cabinet base, door with PUR gasket, 3mm double bit lock(s) with key, screws for mounting plate/DIN-rail and corner plugs.

CAB 500x400x200



Dimensions :	Height	Width	Depth
mm :	500	400	200
inch :	19.69	15.75	7.87

**Materials :**

Material : Polycarbonate

**Ratings :**

Ingress protection (EN 60529):	IP65;
Impact Resistance (EN 62262):	IK08;
electrical_insulation :	Totally insulated
Halogen free (DIN/VDE 0472, Part 815) :	Yes
UV resistance :	UL 746C

Base colour : RAL\_7035  
Cover colour : Clear transparent  
Gasket material : Polyurethane

Flammability Rating : UL 94 V0  
Glow Wire Test (IEC 695-2-1) °C : 960C

**Temperatures :**

Temperature °C (continuous) : -40 ... 80  
Temperature °F (continuous) : -40 ... 175

**Certificates :**

Certificate FI 40854