

ARCA 504021



Sample image

Order symbol : ARCA 504021

Product nr : 8120011

Description : Cabinet, PC

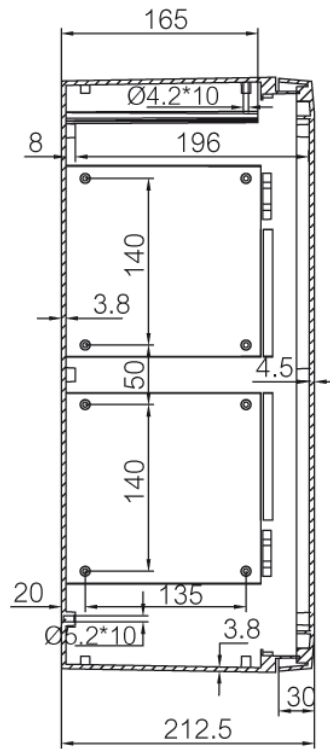
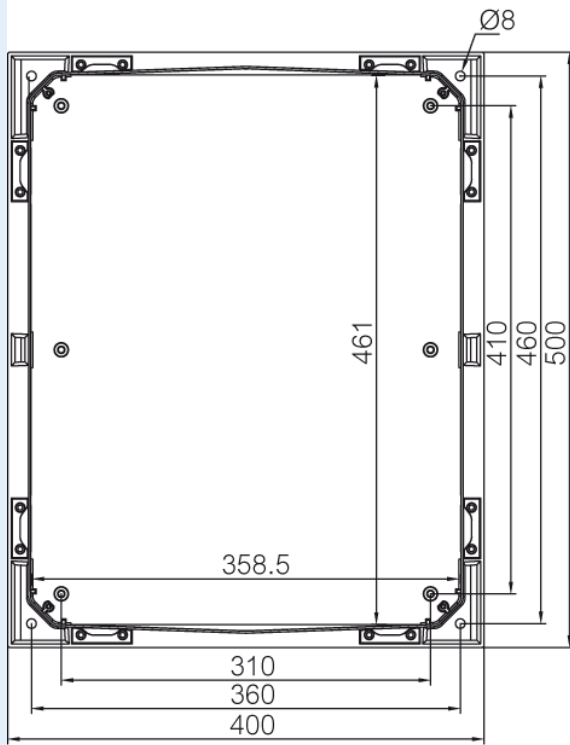
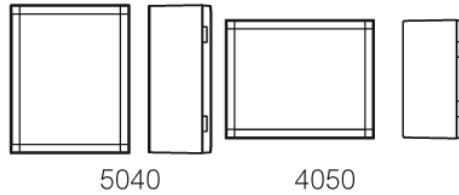
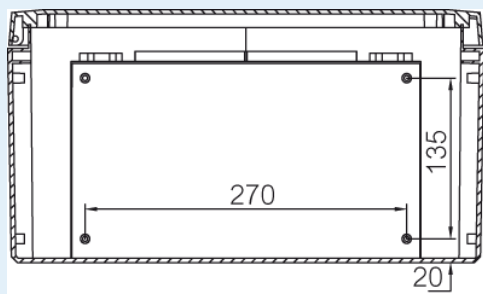
Remarks : Grey cover, 2-point locking, hinges on the long side

EAN : 6418074079220

El. number :

- Finland : 3423099
- Denmark : 8212091090
- Sweden : 2500116

Including : Cabinet base. door with PUR gasket. mounting plate. screws for mounting plate. 3mm double bit lock(s) with key. S versions with swinghandle 2-point locking system. Door guide included.



504021

Dimensions :	Height	Width	Depth
mm :	500	400	210
inch :	19.69	15.75	8.27

Materials :

Material :	Polycarbonate
Base colour :	RAL_7035
Cover colour :	RAL 7035 -light grey
Gasket material :	Polyurethane

Temperatures :

Temperature °C (continuous) :	-40 ... 80
Temperature °F (continuous) :	-40 ... 175

Accessories :

IDS ARCA 5040	Inner door set (485 x 385 x 35)
MPX ARCA 5040	Mounting plate (450x350 mm) (450 x 350 x 5)
MPMP ARCA 5040	Mounting plate multiperforated (450x350x2 mm - ø3.6 mm) (450 x 350 x 1.5)
MPP ARCA 5040	Mounting plate perforated (450x350x2 mm - 26x11 mm) (450 x 350 x 2)
DRS ARCA 504021	DIN rail frame set (485 x 385 x 35)
PMK ARCA 40	PoleMounting kit, for pole ø100-300mm (385 x 285 x 35)
DSP ARCA VLS	Door stopper ARCA, vertical, left, small (15 x 104 x 16)
MPS ARCA 5040	Mounting plate (450x350x2 mm) (450 x 350 x 2)
RCS ARCA 5040	Rain canopy set for size 5040 and 4040 (30 x 400 x 20)
DSP ARCA VRS	Door stopper ARCA, vertical, right, small (15 x 104 x 16)

Ratings :

Ingress protection (EN 60529):	IP66;
Impact Resistance (EN 62262):	IK10;
electrical_insulation :	Totally insulated
Halogen free (DIN/VDE 0472, Part 815) :	Yes
UV resistance :	UL 746C
Flammability Rating :	UL 94 5VA
Glow Wire Test (IEC 695-2-1) °C :	960C
UL Type	1, 4, 4X, 12, 13

Certificates :

Certificate FI 40467