

# ARCA 304021



Sample image

**Order symbol :** ARCA 304021

**Product nr :** 8120023

**Description :** Cabinet, PC

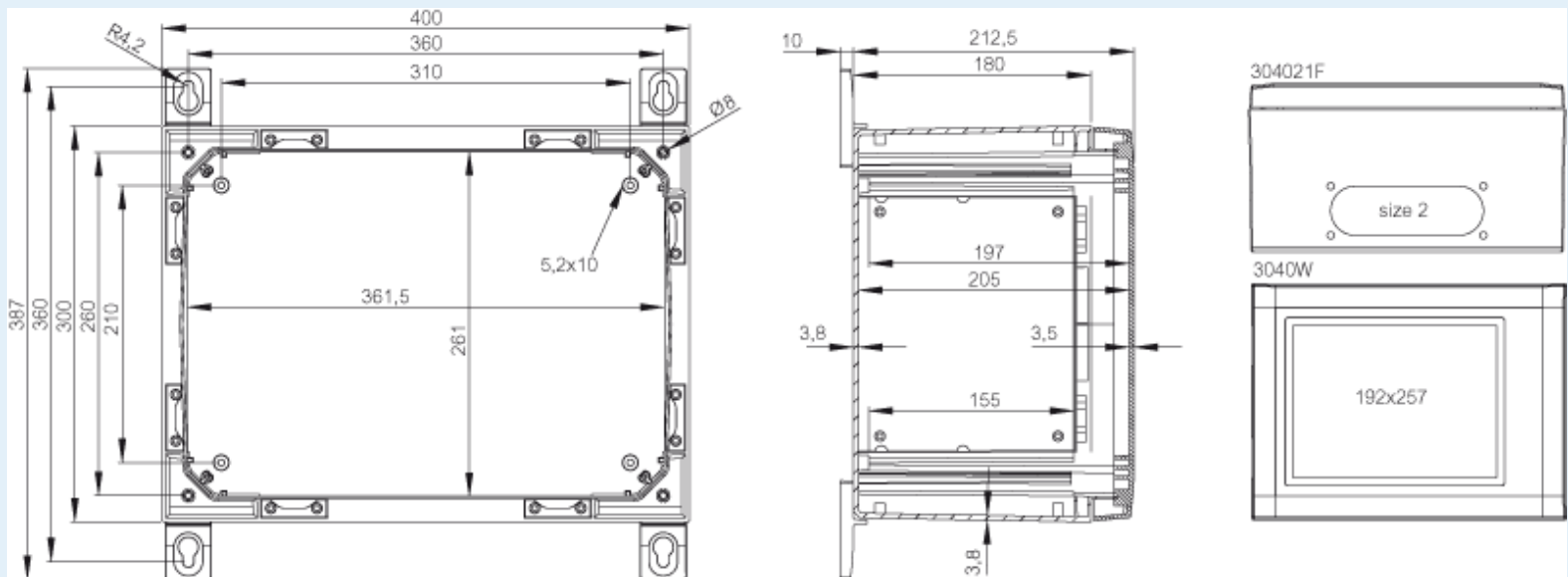
**Remarks :** Grey cover, 2-point locking, hinges on the short side

**EAN :** 6418074079343

**El. number :**

- Finland : 3423120
- Denmark : 8212091210
- Sweden : 2500113

**Including :** Cabinet base. door with PUR gasket. mounting plate. screws for mounting plate. 3mm double bit lock(s) with key. S versions with swinghandle 2-point locking system. Door guide included.



Dimensions :	Height	Width	Depth
mm :	300	400	210
inch :	11.81	15.75	8.27

## Materials :

Material :	Polycarbonate
Base colour :	RAL_7035
Cover colour :	RAL 7035 -light grey
Gasket material :	Polyurethane

## Accessories :

DRS ARCA 304021	DIN rail frame set (385 x 285 x 35)
DSP ARCA HRS	Door stopper ARCA, horizontal, right, small (15 x 104 x 16)
DSP ARCA HLS	Door stopper ARCA, horizontal, left, small (15 x 104 x 16)
IDS ARCA 3040	Inner door set
RCS ARCA 3040	Rain canopy set for size 3040 (30 x 400 x 20)

**Temperatures :**

Temperature °C (continuous) :	-40 ... 80
Temperature °F (continuous) :	-40 ... 175

PMK ARCA 40	PoleMounting kit, for pole $\varnothing$ 100-300mm (385 x 285 x 35)
MPP ARCA 3040	Mounting plate perforated (350x250x2 mm - 26x11 mm) (250 x 350 x 2)
MPMP ARCA 4030	Mounting plate multiperforated (350x250x2 mm - $\varnothing$ 3.6 mm) (350 x 250 x 1.5)
MPS ARCA 4030	Mounting plate (350x250x2 mm) (350 x 250 x 2)
MPX ARCA 4030	Mounting plate (350x250 mm) (350 x 250 x 5)

**Ratings :**

Ingress protection (EN 60529):	IP66;
Impact Resistance (EN 62262):	IK10;
electrical_insulation :	Totally insulated
Halogen free (DIN/VDE 0472, Part 815) :	Yes
UV resistance :	UL 746C
Flammability Rating :	UL 94 5VA
Glow Wire Test (IEC 695-2-1) °C :	960C
UL Type	1, 4, 4X, 12, 13

**Certificates :**

Certificate FI 40467