

ARCA 203015W



Sample image

Order symbol : ARCA 203015W

Product nr : 8120140

Description : Cabinet, PC

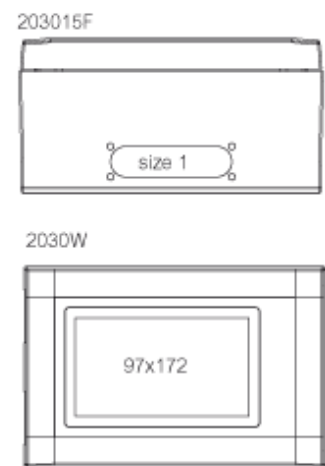
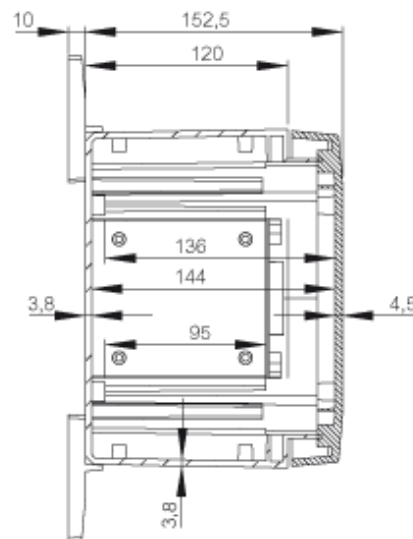
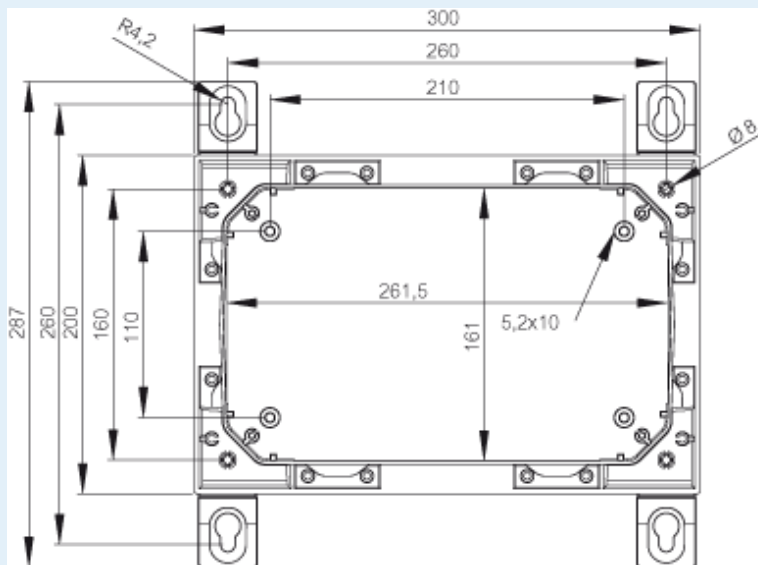
Remarks : Grey cover with window, 1-point locking, hinges on the short side

EAN : 6418074080110

El. number :

- Finland : 3423216
- Denmark : 8212091964
- Sweden : 2500137

Including : Cabinet base. door with PUR gasket. mounting plate. screws for mounting plate. 3mm double bit lock(s) with key. S versions with swinghandle 2-point locking system. Door guide included.



Dimensions :	Height	Width	Depth
mm :	200	300	150
inch :	7.87	11.81	5.91

Materials :

Material :	Polycarbonate
Base colour :	RAL_7035
Cover colour :	Clear transparent
Gasket material :	Polyurethane

Accessories :

MPMP ARCA 3020	Mounting plate multiperforated (250x150x2 mm - \varnothing 3.6 mm) (250 x 150 x 1.5)
IDS ARCA 2030	Inner door set
MPP ARCA 2030	Mounting plate perforated (250x150x2 mm - 26x11 mm) (150 x 250 x 2)
MPS ARCA 3020	Mounting plate (250x150x2 mm) (250 x 150 x 2)
DRS ARCA 203015	DIN rail frame set (285 x 185 x 35)

Temperatures :

Temperature °C (continuous) : -40 ... 80

Temperature °F (continuous) : -40 ... 175

RCS ARCA 2030 Rain canopy set for size 2030
(30 x 300 x 20)PMK ARCA 30 PoleMounting kit, for pole ø100-300mm
(385 x 285 x 35)MPX ARCA 3020 Mounting plate (250x150 mm)
(250 x 150 x 5)**Ratings :**

Ingress protection (EN 60529): IP65;

Impact Resistance (EN 62262): IK08;

electrical_insulation : Totally insulated

Halogen free (DIN/VDE 0472, Part 815) : Yes

UV resistance : UL 746C

Flammability Rating : UL 94 5VA

Glow Wire Test (IEC 695-2-1) °C : 960C

Certificates :

Certificate FI 40467